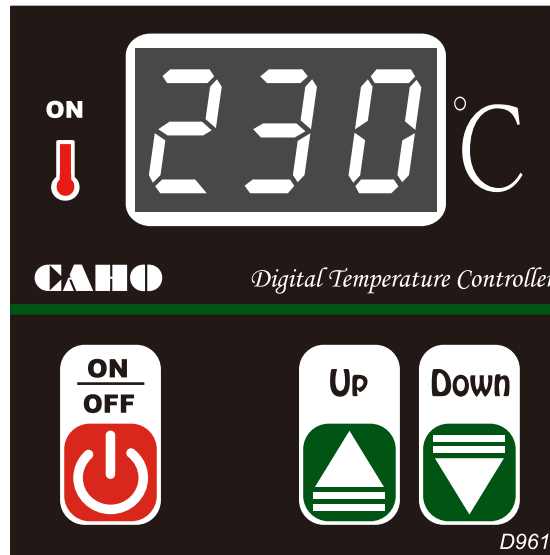




Digital Temperature Controller

數位溫度控制器

Application : Controlling temperature
用途：控制-溫度



Features

- 1.Extensive digital screen display with elegant design.
- 2.Wide power terminal arrangement in solution to any related electrical breakdown issues.
- 3.Accessible ON/OFF function to facilitate operation.
- 4.Improved navigation keys for quick temperature setting.
- 5.Provides signal indicators for easy abnormalities detection.
- 6.With proportional control to stabilize heat as the temperature reaches to setpoint.
- 7.Automatic temperature compensation control which help keeps the temperature more accurate.
- 8.Can suit 2 alarms to make applications more flexible.
- 9.Selectable heating or cooling system to choose from.
- 10.Light weighted controller with weighs 250g only.

特性

1. 超大屏幕設計，美觀大方
2. 寬電源設計，解決傳統變壓器故障問題
3. ON/OFF開關功能，方便操作
4. 上下鍵修改溫度，加快設定速度
5. 訊號異常指示，加速故障排除
6. P控制方式，減緩衝溫問題
7. 自動控溫補償，讓溫度更精準
8. 可擴充雙組警報，讓應用更靈活
9. 可選擇加熱或冷卻系統
10. 輕巧外型，重量僅250克

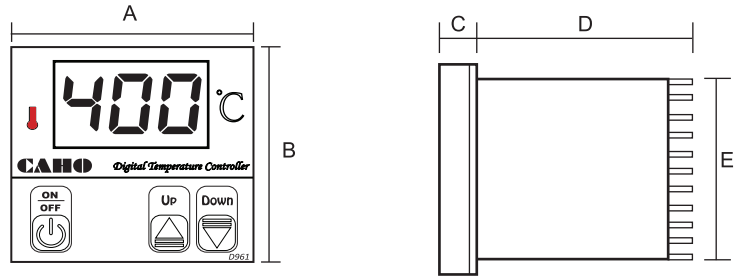
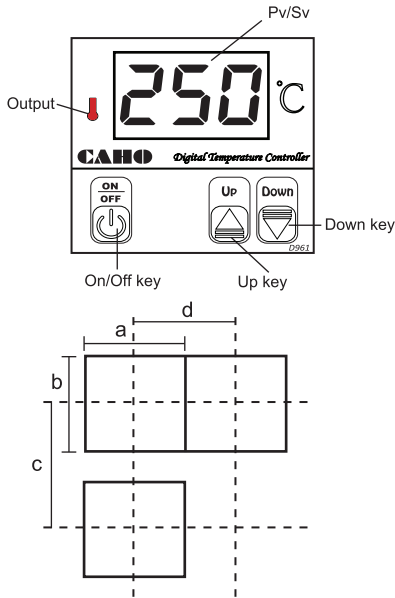
SPECIFICATION

Power Supply : AC 85V~260V, 50/60HZ
Input : K type,J type
Output : RELAY(250V/3A), DC24V, DC linear...
Control : P, ON/OFF
P Band : 0%~100% full Scale
Cycle Time : 0~100 Sec.
Accuracy : ±0.3% full Scale
Ambient Temperature : -10 °C~55 °C, below 90% humidity
Power Consumption : Less than 5VA
Input Impedance : 20M ohm 500V DC
Alarm mode : 4 alarm modes

規格說明

電源 : AC 85V~260V, 50/60HZ
輸入 : K type,J type
輸出 : RELAY(250V/3A), DC24V, DC linear...
控制方式 : P, ON/OFF
比例帶 : 0%~100% 全刻度
比例週期 : 0~100 秒
精準度 : ±0.3% 全刻度
環境溫濕度 : 濕度低於90%，常溫介於零下10度至55度
消耗電力 : 小於 5VA
輸入阻抗 : 20M ohm 500V DC
警報模式 : 4 種模式

DIMENSION 尺寸圖

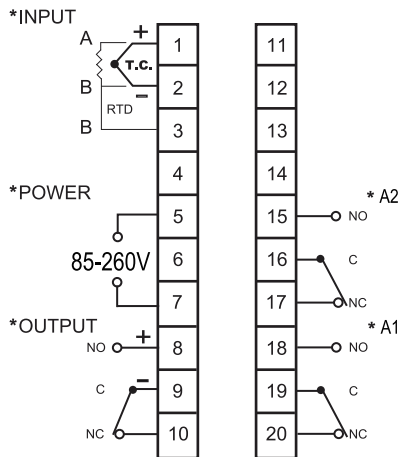


Panel Cutout 開孔尺寸

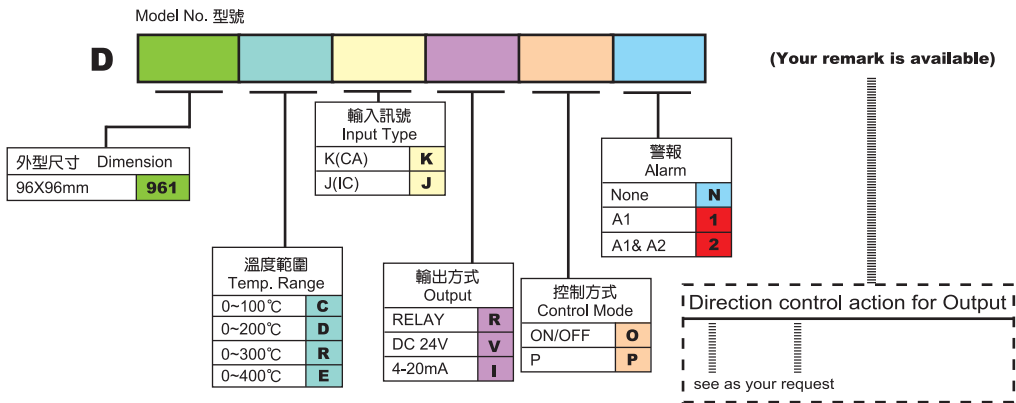
(Unit : mm)

| Model 型號 | A | B | C | D | E | a | b | c | d |
|----------|----|----|----|----|----|----------------------------------|----------------------------------|-----|-----|
| D961 | 96 | 96 | 12 | 92 | 90 | 91 ^{+0.5} ₋₀ | 91 ^{+0.5} ₋₀ | 120 | 110 |

WIRING DIAGRAM 接線圖



ORDERING CODE 訂貨編號



附注：1.Relay 輸出能選用ON/OFF，P控制
2.S.S.R. 輸出能選用ON/OFF，P控制
3.4-20mA 輸出只能用P控制
4.警報模式有絕對上限、絕對下限、偏差上限、偏差下限

Note：1.Relay-output can be suitable with control mode ON/OFF or P.
2.S.S.R.-output can be suitable with control mode ON/OFF or P.
3.4-20mA-output only can be suitable with P control.
4.All the Alarm function are process (Hi/Low) alarm and deviation (Hi/Low) alarm.