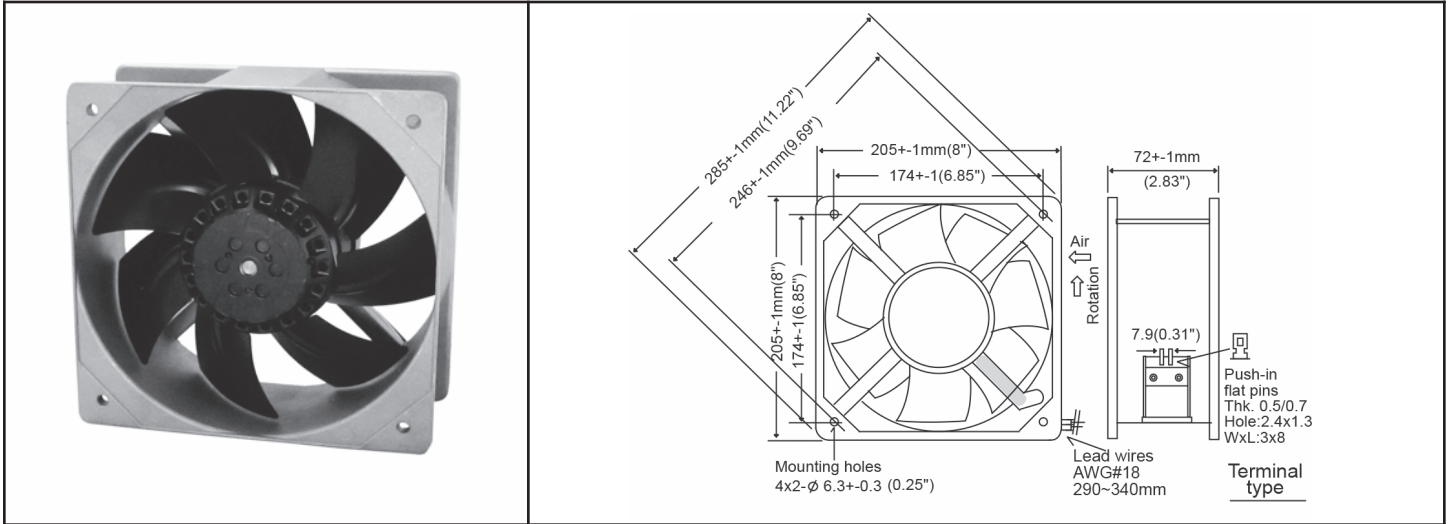


# OA205AN Series - All Metal



AC Fan - 115V, 230V  
205 x 205 x 72mm (8.0" x 8.0" x 2.8")



|                       |  |   |  |
|-----------------------|--|---|--|
| Frame                 | Diecast Aluminum                               | <b>Operating Temperature</b><br>Ball Bearing<br>-30C ~ +80C<br>(non-condensing)<br>Storage Temp<br>-40C ~ +100C<br><br><b>Life Expectancy</b><br>Ball Bearing<br>50,000 hours (L10 at 55C)<br>Environmental Protection<br>IP56<br><br>Weight: ~ 5.0 lbs<br><br>m0 |  |
| Impeller              | Metal Alloy                                    |   |  |
| Connection            | 2x Lead Wires 18 AWG or terminals              |   |  |
| Motor                 | AC Capacitor Inductance, thermally protected   |   |  |
| Bearing System        | Dual ball bearing                              |   |  |
| Insulation Resistance | >100M ohm between lead-wire and frame (500VDC) |   |  |
| Dielectric Strength   | 1 min at 1500 VAC, 50/60Hz                     |   |  |

| Model Number        | Speed (RPM)  | Airflow (CFM) | Noise (dB) | Volts AC | Voltage Range | Watts    | Max. Static Pressure ("H <sub>2</sub> O) | Curves               |
|---------------------|--------------|---------------|------------|----------|---------------|----------|--|----------------------|
| OA205AN-11-1 * 1856 | 2800<br>3000 | 520<br>590    | 67         | 115      | 100~132       | 60<br>80 | 0.91<br>0.86                             | 2 (50Hz)<br>1 (60Hz) |
| OA205AN-11-2 * 1856 | 2300<br>2250 | 460<br>458    | 58         | 115      | 100~132       | 55<br>65 | 0.69<br>0.52                             | 4 (50Hz)<br>3 (60Hz) |
| OA205AN-11-3 * 1856 | 1500<br>1650 | 310<br>330    | 48         | 115      | 100~132       | 20<br>30 | 0.38<br>0.29                             | 6 (50Hz)<br>5 (60Hz) |
| OA205AN-22-1 * 1856 | 2800<br>3000 | 520<br>590    | 67         | 230      | 200~264       | 60<br>80 | 1.05<br>1.08                             | 2 (50Hz)<br>1 (60Hz) |
| OA205AN-22-2 * 1856 | 2300<br>2250 | 460<br>458    | 58         | 230      | 200~264       | 55<br>65 | 0.69<br>0.52                             | 4 (50Hz)<br>3 (60Hz) |
| OA205AN-22-3 * 1856 | 1500<br>1650 | 310<br>330    | 48         | 230      | 200~264       | 20<br>30 | 0.38<br>0.29                             | 6 (50Hz)<br>5 (60Hz) |

\* Indicate "TB" for terminal type or "WB" for lead wires