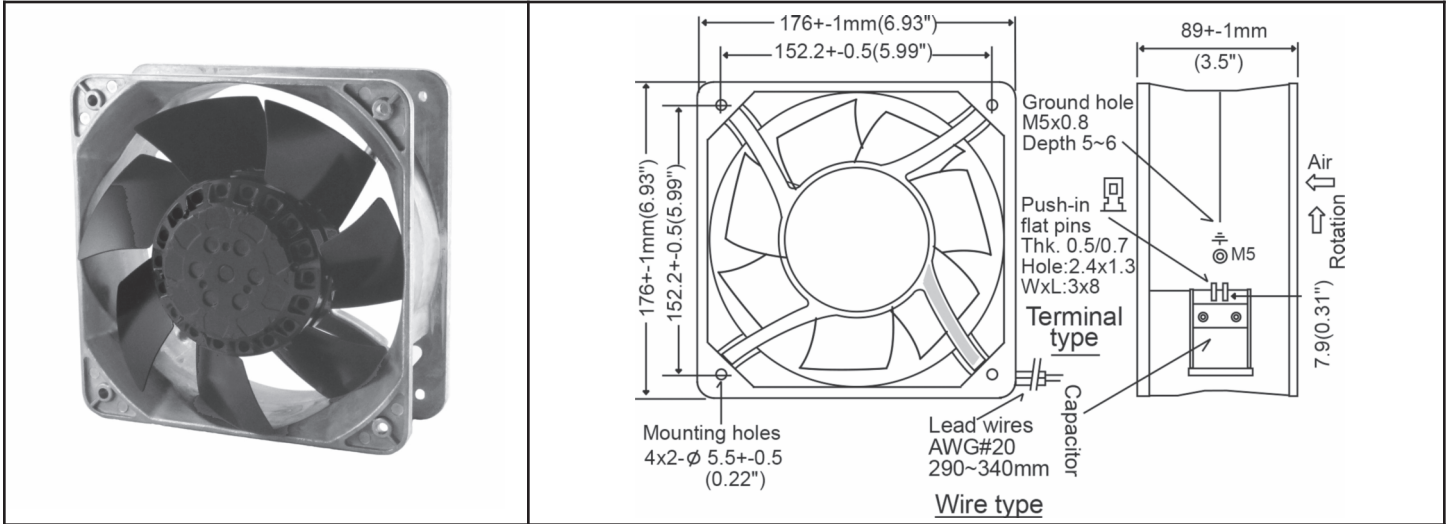


OA180AN Series - All Metal



AC Fan - 115V, 230V
176 x 89mm (6.9" x 3.5")



| | | | |
|------------------------------|--|---|--|
| Frame | Diecast Aluminum | Operating Temperature Ball Bearing -30C ~ +80C (non-condensing) Storage Temp -40C ~ +100C Life Expectancy Ball Bearing 50,000 hours (L10 at 55C) Environmental Protection IP56 Weight: ~ 4.1 lbs m0 | |
| Impeller | Metal Alloy | | |
| Connection | 2x Lead Wires 20 AWG or terminals | | |
| Motor | AC Capacitor Inductance, thermally protected | | |
| Bearing System | Dual ball bearing | | |
| Insulation Resistance | >100M ohm between lead-wire and frame (500VDC) | | |
| Dielectric Strength | 1 min at 1500 VAC, 50/60Hz | | |

| Model Number | Speed (RPM) | Airflow (CFM) | Noise (dB) | Volts AC | Voltage Range | Watts | Max. Static Pressure ("H ₂ O) | Curves |
|---------------------|--------------|---------------|------------|----------|---------------|----------|--|----------------------|
| OA180AN-11-1 * 1856 | 2750 3250 | 330 380 | 63 | 115 | 100~120 | 60 80 | 0.69 0.76 | 2 (50Hz) 1 (60Hz) |
| OA180AN-11-2 * 1856 | 2350 2250 | 285 275 | 52 | 115 | 100~120 | 55 65 | 0.59 0.53 | 4 (50Hz) 3 (60Hz) |
| OA180AN-11-3 * 1856 | 1450 1650 | 175 210 | 41 | 115 | 100~120 | 20 30 | 0.36 0.39 | 6 (50Hz) 5 (60Hz) |
| OA180AN-22-1 * 1856 | 2750 3250 | 330 380 | 63 | 230 | 200~240 | 60 80 | 0.69 0.76 | 2 (50Hz) 1 (60Hz) |
| OA180AN-22-2 * 1856 | 2350 2250 | 285 275 | 52 | 230 | 200~240 | 55 65 | 0.59 0.53 | 4 (50Hz) 3 (60Hz) |
| OA180AN-22-3 * 1856 | 1450 1650 | 175 210 | 41 | 230 | 200~240 | 20 30 | 0.36 0.39 | 6 (50Hz) 5 (60Hz) |

* Indicate "TB" for terminal type or "WB" for lead wires