

Product datasheet

Specifications



Pack with 1 wireless push button + 1 configurable receiver + 1 set of 10 colored caps, plastic, Ø22, 24...240 V AC/DC

XB5RMA04

Main

Range Of Product	Harmony XB5R
Product Or Component Type	Wireless and batteryless package
Device Short Name	XB5R
Head Material	Plastic
Frequency	2405 MHz for transmitter 2405 MHz for receiver
Emission Class	5M00G7W
Antenna Type	Omnidirectional

Complementary

Control Type	Wireless and batteryless push-button handy box assembled on fixing collar
Type Of Receiver	Programmable receiver (2 relays)
[Us] Rated Supply Voltage	24...240 V AC/DC 50/60 Hz
Kit Composition	1 transmitter 1 set of caps 1 receiver 1 fixing collars 1 diameter: 22 mm 1 push-button head diameter: 22 mm 1 handy box
Status Led	1 LED green for power ON 2 LEDs green for relay ON 2 LEDs green for function mode 1 LED green and yellow for reception signal
Communication Port Protocol	Zigbee conforming to IEEE 802.15.4
Max Power Consumption In W	1 mW
Number Of Channels	1
Modulation Technique	O-QPSK
Bandwidth	5 MHz
Antenna Gain	0 dBi
Customizable	No
Compatibility Code	XB5R
[Us] Rated Supply Voltage	24...240 V

Environment

Price is "List Price" and may be subject to a trade discount – check with your local distributor or retailer for actual price.

Product Certifications	CCC CSA C-Tick GOST UL
Marking	CE
Standards	CSA C22.2 No 14 EN/IEC 60947-5-1 EN/IEC 60947-1 UL 508
Radio Agreement	ANATEL SRRC ICASA FCC ARIB T66 RSS

Packing Units

Unit Type Of Package 1	PCE
Number Of Units In Package 1	1
Package 1 Height	9.300 cm
Package 1 Width	10.500 cm
Package 1 Length	11.000 cm
Package 1 Weight	299.000 g
Unit Type Of Package 2	S03
Number Of Units In Package 2	16
Package 2 Height	30.000 cm
Package 2 Width	30.000 cm
Package 2 Length	40.000 cm
Package 2 Weight	5.166 kg

Contractual warranty

Warranty	18 months
-----------------	-----------

Sustainability

Green Premium™ label is Schneider Electric's commitment to delivering products with best-in-class environmental performance. Green Premium promises compliance with the latest regulations, transparency on environmental impacts, as well as circular and low-CO₂ products.

Guide to assessing product sustainability is a white paper that clarifies global eco-label standards and how to interpret environmental declarations.

[Learn more about Green Premium >](#)

[Guide to assess a product's sustainability >](#)



Transparency RoHS/REACH

Well-being performance

Mercury Free

RoHS Exemption Information Yes

Certifications & Standards

Reach Regulation [REACH Declaration](#)

Eu RoHS Directive Pro-active compliance (Product out of EU RoHS legal scope)

China RoHS Regulation [China RoHS declaration](#)

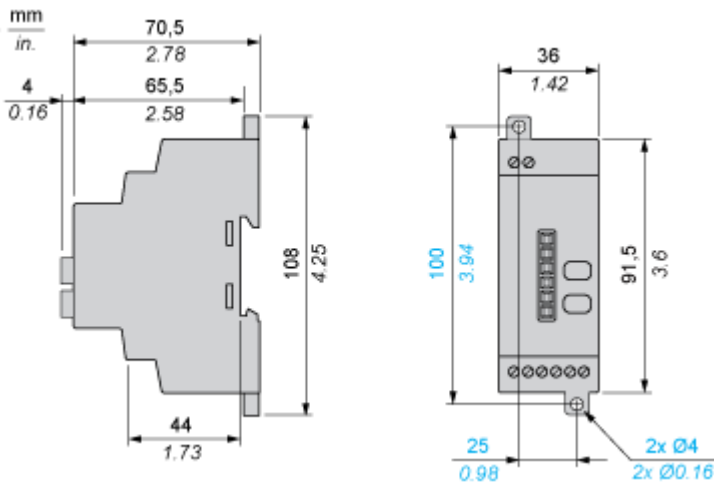
Environmental Disclosure [Product Environmental Profile](#)

Weee The product must be disposed on European Union markets following specific waste collection and never end up in rubbish bins

Circularity Profile [End of Life Information](#)

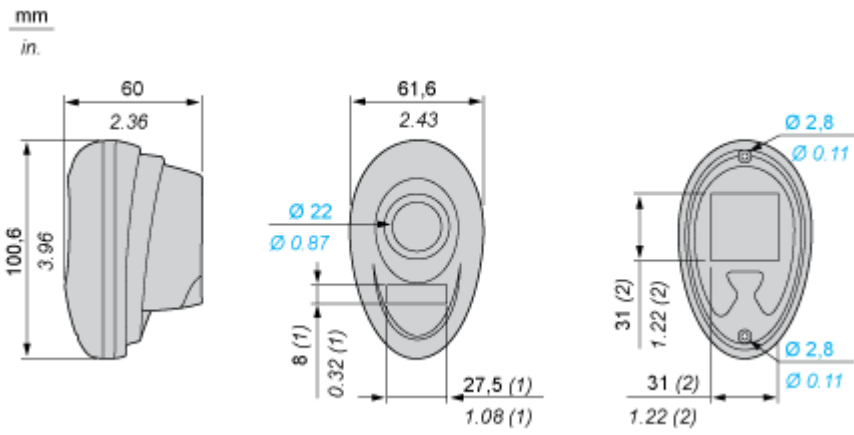
Dimensions Drawings

Programmable Receiver



Wireless and Batteryless Pushbutton - Transmitter

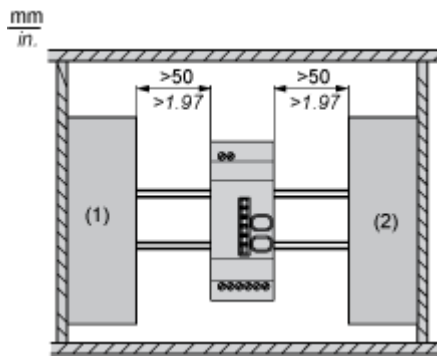
Plastic Handy Box for Mobile Use



- (1) Location for ZBY0101T legend.
- (2) Location for magnet to be stuck on by the customer.

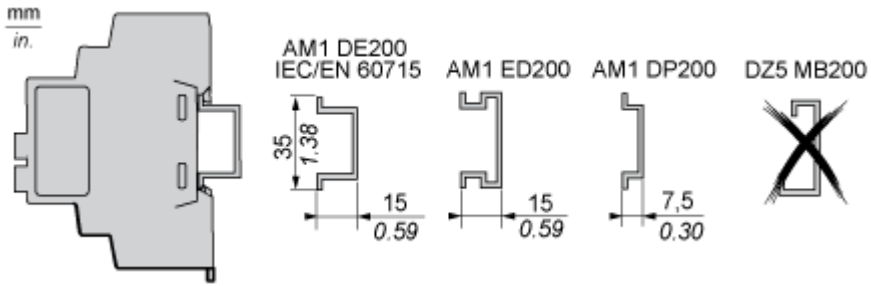
Mounting and Clearance

Receiver Clearance



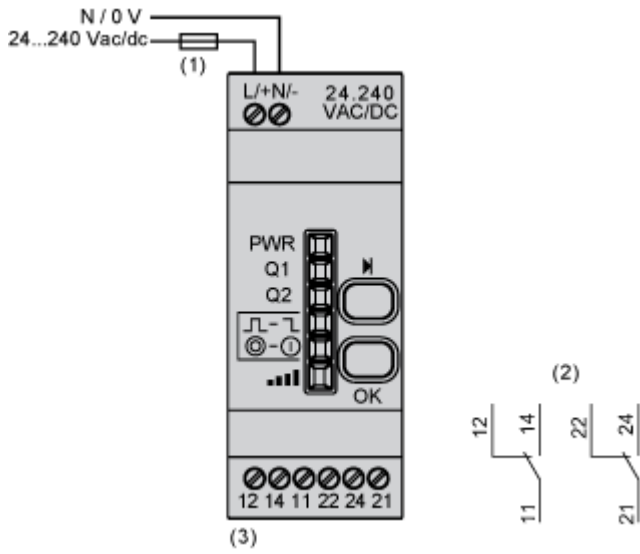
- (1) Drive
- (2) Power Supply or PLC

Receiver Mounting



Connections and Schema

Programmable Receiver



- (1) 500 mA
- (2) Output contacts
- (3) $I_{max} = 3 A$