

Product datasheet

Specifications



Selector switch, plastic, black, Ø22, 3 positions, spring return to center, 2 NO

XB5AD53

Main

| | |
|-------------------------------|---|
| Range Of Product | Harmony XB5 |
| Product Or Component Type | Selector switch |
| Device Short Name | XB5 |
| Bezel Material | Dark grey plastic |
| Head Type | Standard |
| Mounting Diameter | 22 mm |
| Sale Per Indivisible Quantity | 1 |
| Shape Of Signaling Unit Head | Round |
| Type Of Operator | To centre spring return |
| Operator Profile | Black standard handle |
| Operator Position Information | 3 positions +/- 45° |
| Contacts Type And Composition | 2 NO |
| Contact Operation | Slow-break |
| Connections - Terminals | Screw clamp terminals, $\leq 2 \times 1.5 \text{ mm}^2$ with cable end conforming to IEC 60947-1 Screw clamp terminals, $> 1 \times 0.22 \text{ mm}^2$ without cable end conforming to IEC 60947-1 |

Complementary

| | |
|------------------------------------|---|
| Height | 42 mm |
| Width | 30 mm |
| Depth | 70 mm |
| Terminals Description Iso N°1 | (13-14)NO |
| Net Weight | 0.052 kg |
| Resistance To High Pressure Washer | 7000000 Pa at 55 °C, distance : 0.1 m |
| Contacts Usage | Standard contacts |
| Positive Opening | Without |
| Torque Value | 0.14 N.m NO changing electrical state |
| Mechanical Durability | 1000000 cycles |
| Tightening Torque | 0.8...1.2 N.m conforming to IEC 60947-1 |
| Shape Of Screw Head | Cross compatible with Philips no 1 screwdriver Cross compatible with pozidriv No 1 screwdriver Slotted compatible with flat Ø 4 mm screwdriver Slotted compatible with flat Ø 5.5 mm screwdriver |

Price is "List Price" and may be subject to a trade discount – check with your local distributor or retailer for actual price.

| | |
|--|--|
| Contacts Material | Silver alloy (Ag/Ni) |
| Short-Circuit Protection | 10 A cartridge fuse type gG conforming to IEC 60947-5-1 |
| [Ith] Conventional Free Air Thermal Current | 10 A conforming to IEC 60947-5-1 |
| [Uij] Rated Insulation Voltage | 600 V (pollution degree 3) conforming to IEC 60947-1 |
| [Uimp] Rated Impulse Withstand Voltage | 6 kV conforming to IEC 60947-1 |
| [Ie] Rated Operational Current | 3 A at 240 V, AC-15, A600 conforming to IEC 60947-5-1 6 A at 120 V, AC-15, A600 conforming to IEC 60947-5-1 0.1 A at 600 V, DC-13, Q600 conforming to IEC 60947-5-1 0.27 A at 250 V, DC-13, Q600 conforming to IEC 60947-5-1 0.55 A at 125 V, DC-13, Q600 conforming to IEC 60947-5-1 1.2 A at 600 V, AC-15, A600 conforming to IEC 60947-5-1 |
| Electrical Durability | 1000000 cycles, AC-15, 2 A at 230 V, operating rate <3600 cyc/h, load factor: 0.5 conforming to IEC 60947-5-1 appendix C 1000000 cycles, AC-15, 3 A at 120 V, operating rate <3600 cyc/h, load factor: 0.5 conforming to IEC 60947-5-1 appendix C 1000000 cycles, AC-15, 4 A at 24 V, operating rate <3600 cyc/h, load factor: 0.5 conforming to IEC 60947-5-1 appendix C 1000000 cycles, DC-13, 0.2 A at 110 V, operating rate <3600 cyc/h, load factor: 0.5 conforming to IEC 60947-5-1 appendix C 1000000 cycles, DC-13, 0.5 A at 24 V, operating rate <3600 cyc/h, load factor: 0.5 conforming to IEC 60947-5-1 appendix C |
| Electrical Reliability | $\Lambda < 10\text{exp}(-6)$ at 5 V, 1 mA in clean environment conforming to IEC 60947-5-4 $\Lambda < 10\text{exp}(-8)$ at 17 V, 5 mA in clean environment conforming to IEC 60947-5-4 |
| Device Presentation | Complete product |

Environment

| | |
|--|--|
| Protective Treatment | TH |
| Ambient Air Temperature For Storage | -40...70 °C |
| Ambient Air Temperature For Operation | -40...70 °C |
| Electrical Shock Protection Class | Class II conforming to IEC 60536 |
| Ip Degree Of Protection | IP67 conforming to IEC 60529 IP69 IP69K |
| Nema Degree Of Protection | NEMA 13 NEMA 4X |
| Ik Degree Of Protection | IK04 conforming to IEC 50102 |
| Standards | IEC 60947-5-1 UL 508 CSA C22.2 No 14 IEC 60947-5-4 IEC 60947-1 JIS C8201-5-1 JIS C8201-1 |
| Product Certifications | GL UL LROS (Lloyds register of shipping) BV DNV CSA |
| Vibration Resistance | 5 gn (f= 2...500 Hz) conforming to IEC 60068-2-6 |
| Shock Resistance | 30 gn (duration = 18 ms) for half sine wave acceleration conforming to IEC 60068-2-27 50 gn (duration = 11 ms) for half sine wave acceleration conforming to IEC 60068-2-27 |

Packing Units

| | |
|-------------------------------------|-----------|
| Unit Type Of Package 1 | PCE |
| Number Of Units In Package 1 | 1 |
| Package 1 Height | 3.500 cm |
| Package 1 Width | 5.500 cm |
| Package 1 Length | 9.000 cm |
| Package 1 Weight | 51.000 g |
| Unit Type Of Package 2 | S03 |
| Number Of Units In Package 2 | 150 |
| Package 2 Height | 30.000 cm |
| Package 2 Width | 30.000 cm |
| Package 2 Length | 40.000 cm |
| Package 2 Weight | 8.222 kg |
| Unit Type Of Package 3 | P06 |
| Number Of Units In Package 3 | 1200 |
| Package 3 Height | 75.000 cm |
| Package 3 Width | 60.000 cm |
| Package 3 Length | 80.000 cm |
| Package 3 Weight | 75.644 kg |

Contractual warranty

| | |
|-----------------|-----------|
| Warranty | 18 months |
|-----------------|-----------|

Sustainability

Green Premium™ label is Schneider Electric's commitment to delivering products with best-in-class environmental performance. Green Premium promises compliance with the latest regulations, transparency on environmental impacts, as well as circular and low-CO₂ products.

Guide to assessing product sustainability is a white paper that clarifies global eco-label standards and how to interpret environmental declarations.

[Learn more about Green Premium >](#)

[Guide to assess a product's sustainability >](#)



Transparency RoHS/REACH

Well-being performance

Reach Free Of Svhc

Toxic Heavy Metal Free

Mercury Free

Rohs Exemption Information Yes

Certifications & Standards

Reach Regulation

[REACH Declaration](#)

Eu Rohs Directive

Pro-active compliance (Product out of EU RoHS legal scope)

[EU RoHS Declaration](#)

China Rohs Regulation

[China RoHS declaration](#)

Environmental Disclosure

[Product Environmental Profile](#)

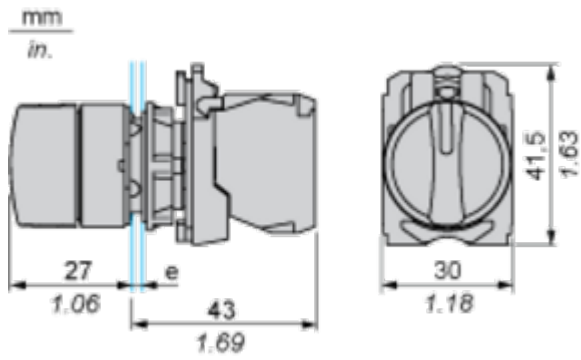
Weee

The product must be disposed on European Union markets following specific waste collection and never end up in rubbish bins

Circularity Profile

[End of Life Information](#)

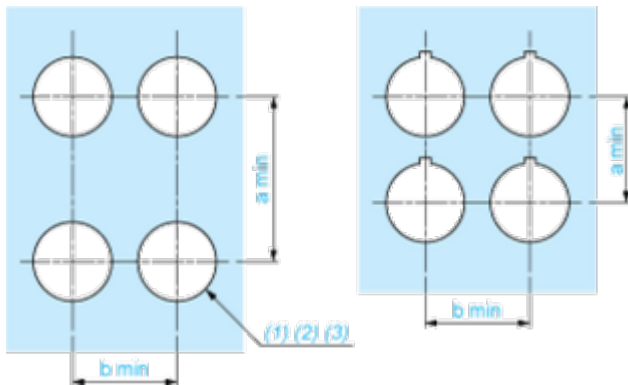
Dimensions



e: clamping thickness: 1 to 6 mm / 0.04 to 0.24 in.

Panel Cut-out for Pushbuttons, Switches and Pilot Lights (Finished Holes, Ready for Installation)

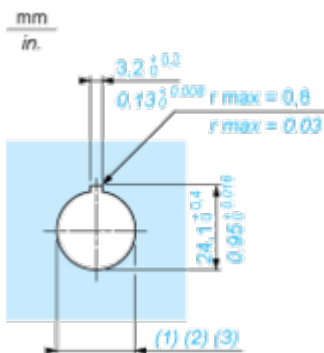
Connection by Screw Clamp Terminals or Plug-in Connectors or on Printed Circuit Board



- (1) Diameter on finished panel or support
- (2) For selector switches and Emergency stop buttons, use of an anti-rotation plate type ZB5AZ902 is recommended.
- (3) $\varnothing 22.5$ mm recommended ($\varnothing 22.3_0^{+0.4}$) / $\varnothing 0.89$ in. recommended ($\varnothing 0.88_0^{+0.016}$)

| Connections | a in mm | a in in. | b in mm | b in in. |
|---|---------|----------|---------|----------|
| By screw clamp terminals or plug-in connector | 40 | 1.57 | 30 | 1.18 |
| By Faston connectors | 45 | 1.77 | 32 | 1.26 |
| On printed circuit board | 30 | 1.18 | 30 | 1.18 |

Detail of Lug Recess



- (1) Diameter on finished panel or support
- (2) For selector switches and Emergency stop buttons, use of an anti-rotation plate type ZB5AZ902 is recommended.
- (3) $\varnothing 22.5$ mm recommended ($\varnothing 22.3_0^{+0.4}$) / $\varnothing 0.89$ in. recommended ($\varnothing 0.88_0^{+0.016}$)