

theMura S180-100 UP WH

Item no.: 2060650

Präsenzmelder & Bewegungsmelder
Wandmontage innen

Description

- Passive infra-red motion detector for wall installation
- Square detection area 170°, 14 x 17 m (238 m²)
- 1 channel light
- Fully or semi-automatic operation
- Adjustable brightness switching value, teach-in function
- Staircase light function
- Switch-on delay configurable
- Extension of detection area via master/slave switching
- Ready for immediate use due to factory presetting
- Restriction of detection area possible
- Mixed light measurement suitable for the control of fluorescent, incandescent, halogen lamps and LEDs
- Integrated button (can be blocked)
- Product design by ID AID



Technical data

theMura S180-100 UP WH	
Operating voltage	230 V AC
Frequency	50 – 60 Hz
Installation height	0.8 – 1.2 m
Installation type	Flush-mounted wall installation
Colour	White
Switching output	Light
Power consumption	~0.4 W
Light measurement	Mixed light measurement
Setting range brightness	5 – 1000 lx
Light switch-off delay	10 s - 30 min/Impuls
Lamps	Incandescent/halogen lamps, fluorescent lamps, Energy saving lamps, LEDs

theMura S180-100 UP WH	
Incandescent/halogen lamp load	2300 W
Inrush current	max. 600 A / 200 µs
LED lamp < 2 W	40 W
LED lamp 2-8 W	450 W
LED lamp > 8 W	450 W
Type of connection	Spring terminals
Size of concealed housing	Ø 55 mm (NIS, PMI)
Detection range	238 m ² (14 x 17 m)
Detection angle	170°
Ambient temperature	-15°C ... 45°C
Type of protection	IP 20

Subject to technical changes and misprints

additional information at: www.theben.de/product/2060650

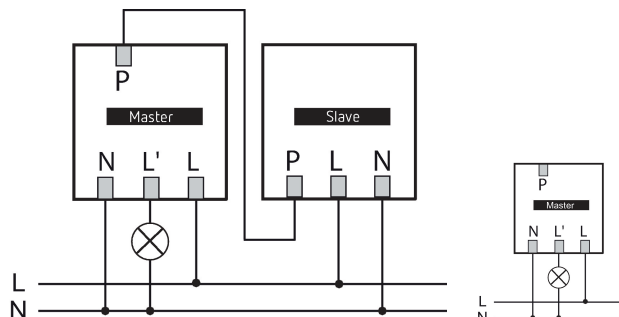
The load data are determined with exemplary selected illuminants and are therefore typical data due to the large number of available products.

theMura S180-100 UP WH

Item no.: 2060650

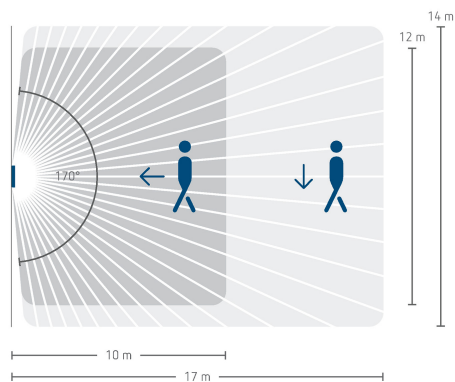
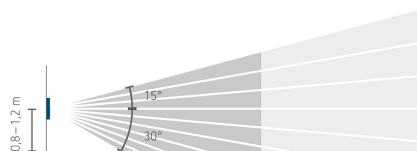


Connection example



Detection range for planning applications at a temperature of 21 °C

Mounting height (A)	Head on to (R)	Diagonally (t)	Sitting (S)
1.2 m	120 m ² 12 m x 10 m	238 m ² 14 m x 17 m	



Subject to technical changes and misprints

additional information at: www.theben.de/product/2060650

The load data are determined with exemplary selected illuminants and are therefore typical data due to the large number of available products.

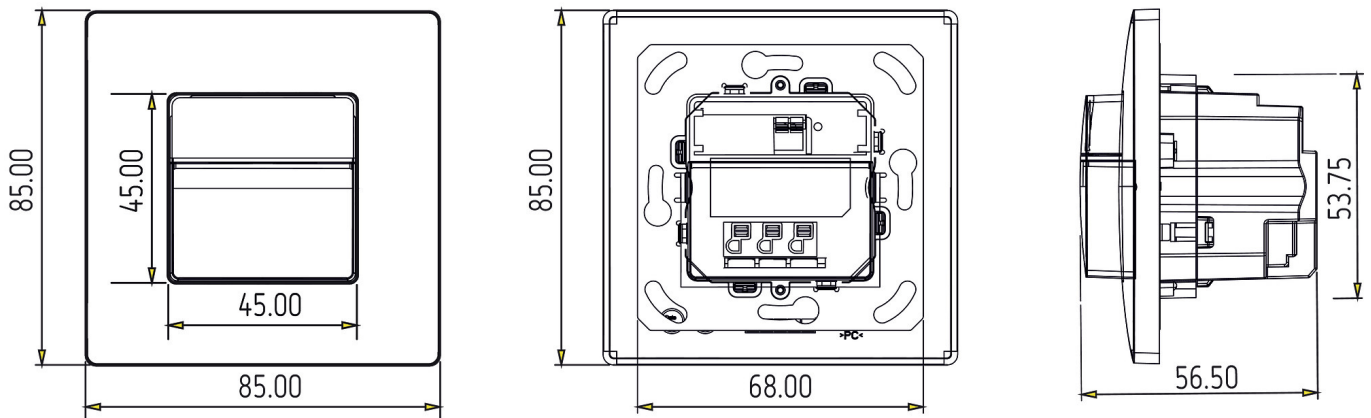
theMura S180-100 UP WH

Item no.: 2060650

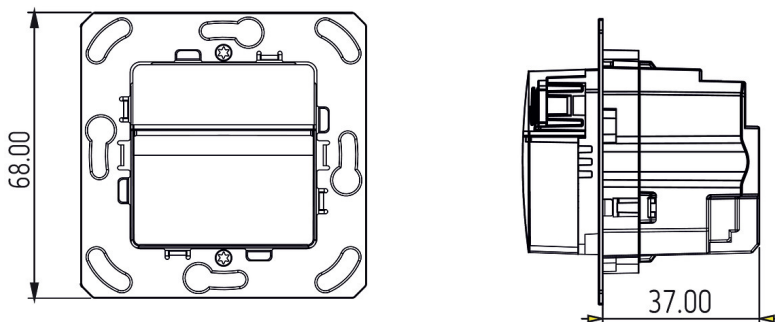


Scale drawings

theMura S180-100 UP WH (2060650) + theMura S180-101 UP WH (2060655)



theMura S180-100 UP (2060750) + theMura S180-101 B UP (2060755)



Subject to technical changes and misprints

additional information at: www.theben.de/product/2060650

The load data are determined with exemplary selected illuminants and are therefore typical data due to the large number of available products.

12/10/2022

Page 3 of 3