

## Description

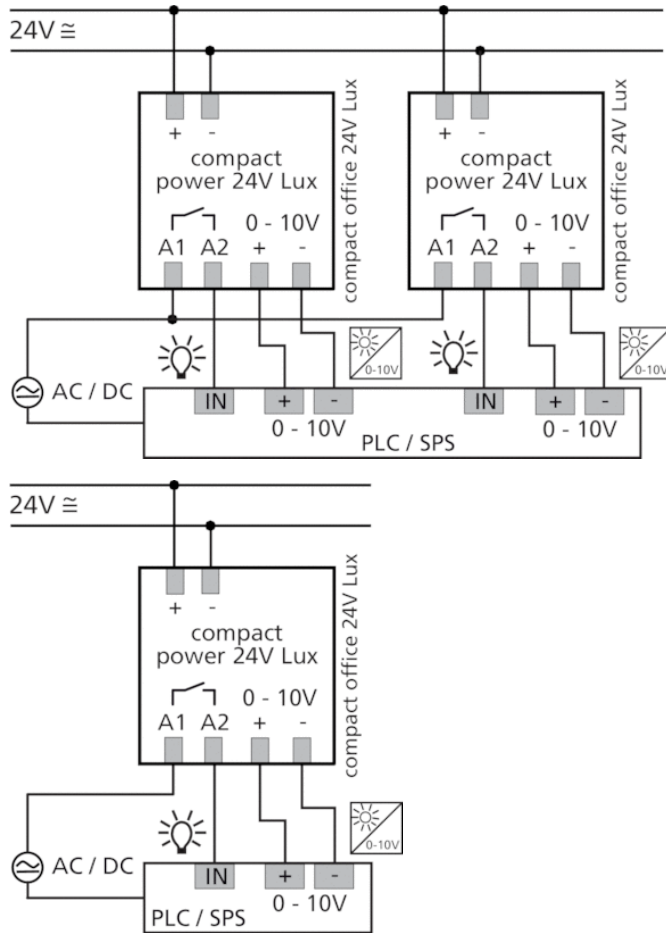


- Presence detector (PIR)
- Square detection area
- Mixed light measurement
- Light switch output (relay, potential-free)
- Presence switch output (relay, potential-free)
- Automatic lighting control as well as analogue value output of measured brightness
- Lighting control with light threshold value and self-learning switch-off delay
- Pulse function for staircase time switch
- Linear or logarithmic output of brightness
- Can be used as light sensor for PLC controls
  - The pulse function is for controlling a staircase time switch
  - The analogue output exports the brightness measured by the internal sensor as an analogue signal. The output of the analogue signal can either be linear or logarithmic to the measured brightness. The output functions independently from the presence detector
    - The switching behaviour of the presence detector is controlled by presence and light.
    - The self-learning switch-off delay adjusts to occupants' behaviour
- The presence detector has mixed light measurement and is suitable for switching the following types of lamps: fluorescent lamps (FL/PL), halogen and incandescent lamps as well as LEDs
- The square detection area allows accurate and simple planning
- Test operation mode checks the detection area and installation
- The parameters can either be set using the potentiometer or via the optional service remote control SendoPro 868-A

## Technical data

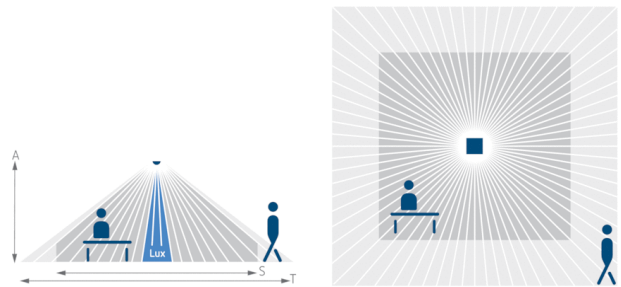
Operating voltage	24 V AC/DC
Recommended installation height	2 – 3 m
Installation type	Ceiling installation
Power consumption	0,5 W
Light measurement	Mixed light measurement
Setting range brightness	10 – 1500 lx
Light switch-off delay	Impuls (0,5 s), 10 s-20 min
Type of contact light	Relay potential-free
Lamps	Incandescent/halogen lamps, fluorescent lamps, Energy saving lamps, LEDs
Compact and fluorescent lamps	50 W (24 V AC/DC), 460 VA (230 V AC), $\mu$ , min. 1 V/1 mA
Type of connection	Screw terminals
Max. cable cross section	2 x 2,5 mm <sup>2</sup>
Mounting plate	70 x 70 mm
Size of concealed housing	Ø 55 mm (NIS, PMI)
Ambient temperature	+0 °C ... +50 °C
Type of protection	IP 40 (when fitted)

### Connection example

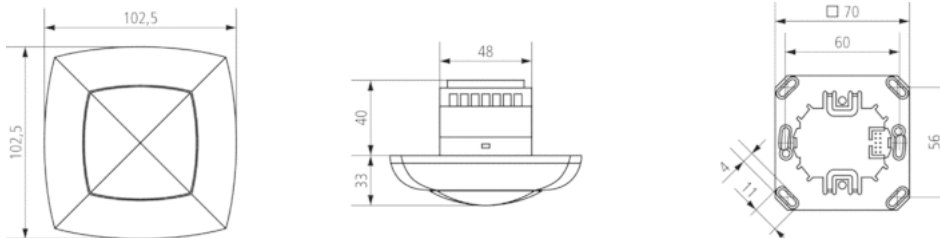


### Detection range

Mounting height (A)	Sitting (S)	Walking (T)
2 m	9 m <sup>2</sup>   3 m x 3 m	20 m <sup>2</sup>   4,5 m x 4,5 m ± 0,5 m
2,5 m	16 m <sup>2</sup>   4 m x 4 m	36 m <sup>2</sup>   6 m x 6 m ± 0,5 m
3 m	20 m <sup>2</sup>   4,5 m x 4,5 m	49 m <sup>2</sup>   7 m x 7 m ± 1 m
3,5 m	-	64 m <sup>2</sup>   8 m x 8 m ± 1 m



### Scale drawings



## Accessories

---

### Surface frame compact

- Article number: 9070514  
Details ▶ [www.theben.de](http://www.theben.de)



### SendoPro 868-A

- Article number: 9070675  
Details ▶ [www.theben.de](http://www.theben.de)



### clic

- Article number: 9070515  
Details ▶ [www.theben.de](http://www.theben.de)



### Ceiling installation box 73A

- Article number: 9070917  
Details ▶ [www.theben.de](http://www.theben.de)



### QuickSafe

- Article number: 9070531  
Details ▶ [www.theben.de](http://www.theben.de)

