

## Description



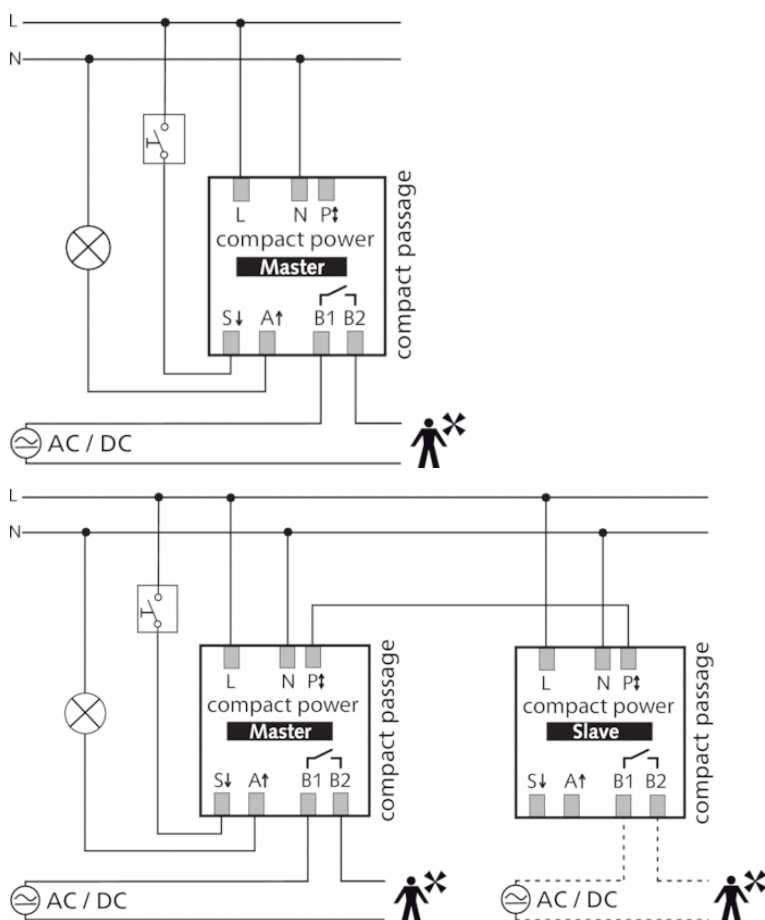
- Presence detector (PIR)
- Mixed light measurement
- Automatic control of lighting and HVAC as well as room monitoring function
- Square detection area for corridors
- Light switch output (relay, 230 V)
- Presence switch output (relay, potential-free)
- Choice of fully or semi automatic operation
- Sensor or switch options for manual switching
- The rectangular detection area covers an area of up to 30 metres in corridors and enables safe and simple planning
- Fully or semi-automatic: In "Fully automatic" mode, the lighting switches on and off automatically according to presence and light. In "Semi-automatic" mode, it must be switched on manually and it switches off automatically
  - Manual override: The lighting can be manually switched on or off at any time via sensors or switches
  - Room/corridor sensor function: In the "corridor" setting, the detector functions as a staircase time switch and it cannot be switched off manually
  - Master/slave parallel switching: Up to ten detectors can be connected with each other to extend the detection area. The master switches the load. All other detectors merely provide presence information as slaves
- Device can be connected as master or slave
- Lighting control with light threshold value and self-learning switch-off delay
- Pulse function for staircase time switch
- HVAC control with switch-on and switch-off delay
  - Room monitoring with selective movement detection
  - The switching behaviour of the presence detector is controlled by presence and light
  - The self-learning switch-off adjusts to occupants' behaviour
  - The pulse function is for controlling a staircase time switch
- The presence detector has a mixed light measurement and is suitable for switching the following types of lamp: Fluorescent lamps (FL/PL), halogen and incandescent lamps as well as LEDs
- Presence switch contact for HVAC control: The switching behaviour of the potential-free contact is only controlled by presence
- The switch-on delay prevents instantaneous switch on. The contact only closes on completion of the switch-on delay
  - Master/master parallel switching: Up to ten detectors can be connected with each other to control several lighting groups. Each master controls its lighting group according to its own brightness measurements. Presence is detected by all the detectors
- The sensitivity of the presence switch output is reduced in the "monitoring" position. The contact indicates the presence of people with a high degree of certainty
- Test operation mode checks the detection area and installation
- The parameters can either be set using the potentiometer or via the optional service remote control SendoPro 868-A
- A maximum of 10 detectors can be switched at the same time

## Technical data

Operating voltage	230 V AC
Frequency	50 Hz
Recommended installation height	2 – 3,5 m
Installation type	Ceiling installation
Power consumption	~0,7 W
Light measurement	Mixed light measurement
Setting range brightness	10 – 1500 lx

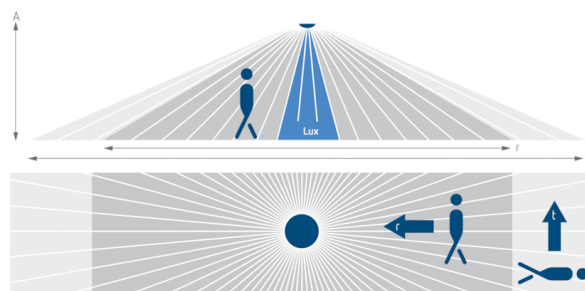
Light switch-off delay	Impuls (0,5 s), 10 s-20 min
Type of contact light	Relay 230 V
Lamps	Incandescent/halogen lamps, fluorescent lamps, Energy saving lamps, LEDs
Resistive load	1400 VA
Incandescent/halogen lamp load	1200 W
Compact and fluorescent lamps	960 VA (cos f = 0,8), 580 VA (cos f = 0,5)
Compact and fluorescent lamps (Number of electronic ballasts)	10 x (1 x 58 W), 5 x (2 x 58 W), 16 x (1 x 36 W), 8 x (2 x 36 W), 16 x (smaller than 36 W)
LED lamp	< 2 W = 25 W or > 2 W = 70 W
Switch-on delay presence	0 s – 10 min
Presence switch-off delay	10 s-120 min
Type of contact presence	Relay potential-free
Switching capacity presence	50 W (220 V DC), 50 VA (250 V AC) min. 0,5 mV/10 mA
Switching output	Potential-free
Type of connection	Screw terminals
Max. cable cross section	2 x 2,5 mm <sup>2</sup>
Mounting plate	70 x 70 mm
Size of concealed housing	Ø 55 mm (NIS, PMI)
Ambient temperature	+0 °C ... +50 °C
Type of protection	IP 40

### Connection example

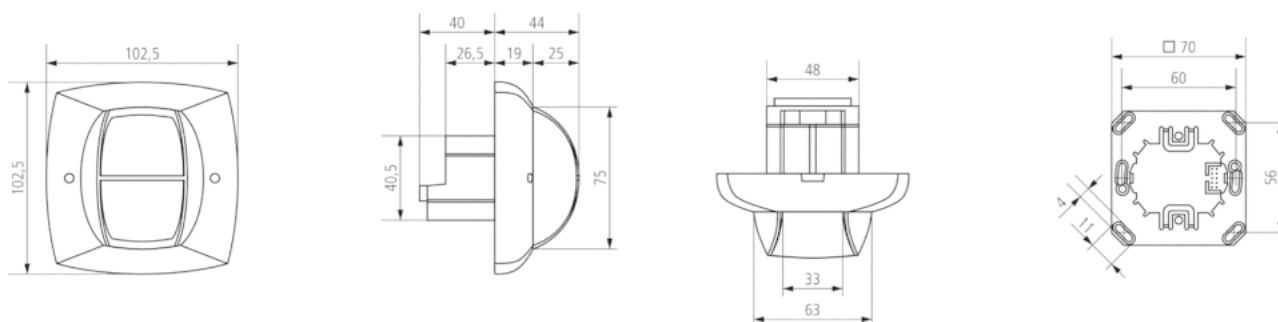


### Detection range

Mounting height (A)	Head on to (r)	Diagonally (t)
2 m	56 m <sup>2</sup>   16 m x 3,5 m ± 1,5 m	56 m <sup>2</sup>   16 m x 3,5 m ± 1,5 m
2,5 m	72 m <sup>2</sup>   18 m x 4 m ± 1,5 m	88 m <sup>2</sup>   22 m x 4 m ± 1,5 m
3 m	90 m <sup>2</sup>   20 m x 4,5 m ± 1,5 m	135 m <sup>2</sup>   30 m x 4,5 m ± 1,5 m
3,5 m	100 m <sup>2</sup>   20 m x 5 m ± 1,5 m	150 m <sup>2</sup>   30 m x 5 m ± 1,5 m
4 m	100 m <sup>2</sup>   20 m x 5 m ± 2 m	150 m <sup>2</sup>   30 m x 5 m ± 2 m
4,5 m	100 m <sup>2</sup>   20 m x 5 m ± 2 m	150 m <sup>2</sup>   30 m x 5 m ± 2 m
5 m	100 m <sup>2</sup>   20 m x 5 m ± 2,5 m	150 m <sup>2</sup>   30 m x 5 m ± 2,5 m
6 m	100 m <sup>2</sup>   20 m x 5 m ± 2,5 m	150 m <sup>2</sup>   30 m x 5 m ± 2,5 m



### Scale drawings



### Accessories

#### Surface frame compact

- Article number: 9070514  
Details ▶ [www.theben.de](http://www.theben.de)



#### SendoPro 868-A

- Article number: 9070675  
Details ▶ [www.theben.de](http://www.theben.de)



#### Ceiling installation box 73A

- Article number: 9070917  
Details ▶ [www.theben.de](http://www.theben.de)



#### QuickSafe

- Article number: 9070531  
Details ▶ [www.theben.de](http://www.theben.de)



#### clic

- Article number: 9070515  
Details ▶ [www.theben.de](http://www.theben.de)



### Product selection

Installation type	Channel	Operating voltage	Colour	Type	Article number
Ceiling installation	Light   Presence	230 V AC	Pure white (similar to RAL 9010)	compact passage GST	2010100
Ceiling installation	Light   Presence	230 V AC	Pure white (similar to RAL 9010)	compact passage WINSTA	2010105
Ceiling installation	Light   Presence	230 V AC	Pure white (similar to RAL 9010)	compact passage	2010090
Ceiling installation	Light   Presence	230 V AC	Silver (similar to RAL 9006)	compact passage SR	2010807
Ceiling installation	Light   Presence	230 V AC	Black (similar to RAL 9005)	compact passage BK	2010806