

Description

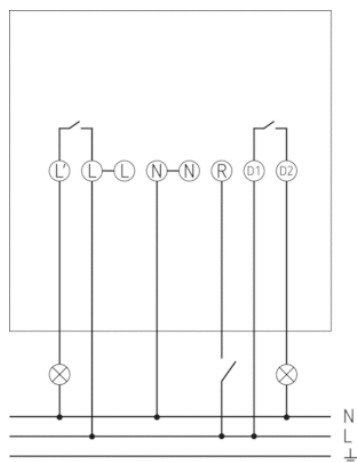


- Motion detector (PIR)
- Automatic lighting control based on presence and brightness
- 2 channels
- 2. Relay for HVAC control with adjustable switch-off delay, presence-dependent, potential-free
- HVAC control with programmable switch-off delay
- Ceiling installation for suspended ceilings
- Mixed light measurement suitable for the control of fluorescent, incandescent and halogen lamps
- Zero-cross switching for relay-saving switching and high lamp loads
- Easy installation via two clamping brackets
- System consists of power box and sensor with plugged connection cable
- Large clamping area for quick installation
- Single-handed plug-in installation with captive screws
- Instant start-up possible via factory preset
- No unintentional adjustment due to covered up controls
- Adjustable brightness switching value and switch-off delay

Technical data

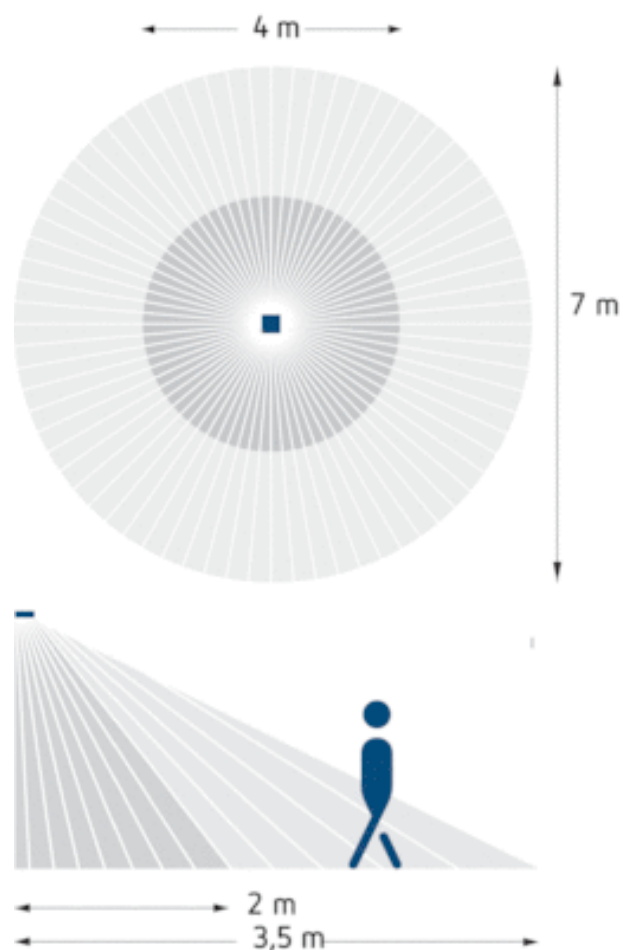
Operating voltage	230 V AC
Frequency	50 – 60 Hz
Stand-by consumption	~0,5 W
Light measurement	Mixed light measurement
Number of channels	2
Installation type	Ceiling installation
Setting range brightness	10 – 2000 lx
Switching capacity presence	5 A (250 V AC, cos ϕ = 1)
Detection angle	360°
Installation height	2 – 3 m
Light switch-off delay	5 s-30 min
Presence switch-off delay	10 s-60 min
Incandescent lamp load	2000 W
Fluorescent lamp load (conventional) parallel-corrected	900 W 100 μ F
LED lamp < 2 W	35 W
LED lamp 2-8 W	400 W
LED lamp > 8 W	400 W
Lamps	Incandescent/halogen lamps, fluorescent lamps, Energy saving lamps, LEDs
Ambient temperature	+0 °C ... +45 °C
Protection class	II
Type of protection	IP 44 (Sensor), IP 20 (power module)

Connection example



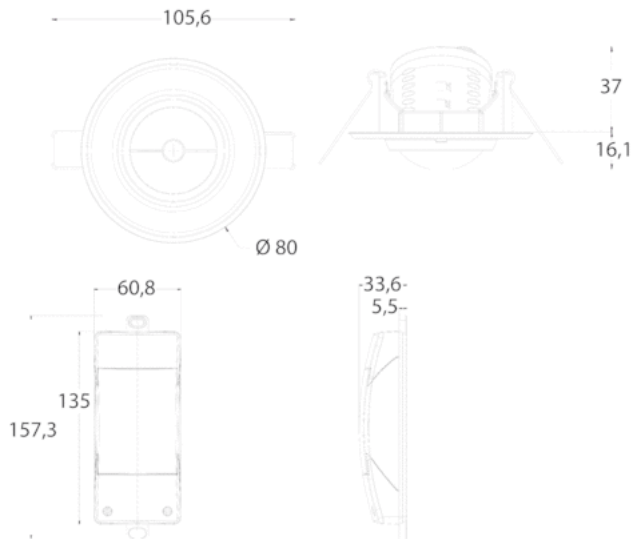
Detection range

Mounting height (A)	Head on to (r)	Diagonally (t)
2,5 m	4 m	7 m



Article number: 1030013

Scale drawings



Product selection

Channel	Detection angle	Colour	Type	Article number
Light Presence	360°	White	LUXA 103-101 DE WH	