

## Description



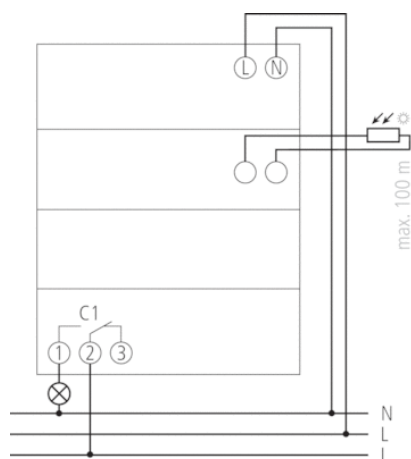
- Twilight switch with integrated weekly timer
- External light sensor included in delivery
- Analogue adjustable switching brightness
- Adjustable On and Off switching delay
  - to avoid switching errors caused by lightning, car headlights etc. Preset 1 minute
- Switching brightness and switching delay can be set separately for switching On and Off
- Fixed ON and OFF times (e.g. nighttime interruption)
  - can be programmed independent of brightness
- Onscreen display of channel and switching status
- DuoFix spring terminals
  - for 2 conductors per connection terminal
- Zero-cross switching for relay-saving switching and high lamp loads
- Interface for OBELISK top2 memory card (PC programming)
  - 2. insertable switching program
  - Copying programs
  - Storing programs
- Holiday program with yearly function
- Different summer/winter time rules can be selected or freely defined
- Permanent switching ON/OFF
- Test function
  - (Permanent ON) to check the installation independently of set brightness value
- Switching preselection
- Display back light (can be turned off)
- PIN coding
- Operating hours counter (with reminder function)

## Technical data

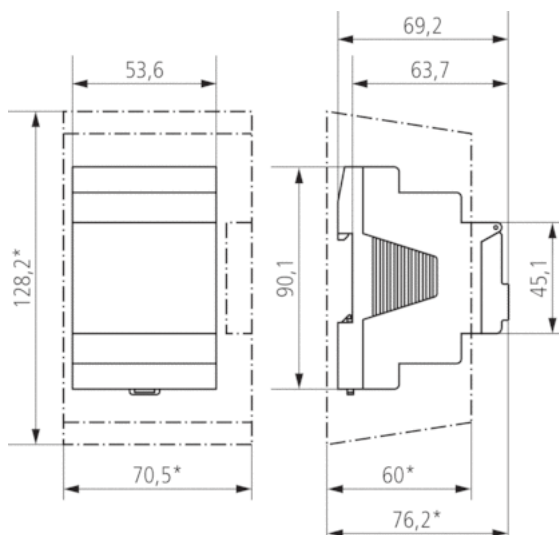
Operating voltage	220 – 240 V AC
Frequency	50 – 60 Hz
Number of channels	1
Number of memory locations	56
Stand-by consumption	~1,3 W
Capacity loss max.	1,7 W
Program	Weekly program
Additional program	Holiday program
Time basis	Quartz
Setting range brightness	2 – 2000 lx
Switch-on delay	0 – 59 min
Switch-off delay	0 – 59 min
Type of contact	Changeover contact
Switching output	Potential-free, not for SELV
Width	3 modules
Installation type	DIN rail
Type of connection	DuoFix spring terminals
Keyboards	4 touch buttons, 1 potentiometer
Shortest switching times	1 min
Power reserve	10 years at 20 °C

Switching capacity	16 A (at 250 V AC, $\cos \varphi = 1$ ), 10 A (at 250 V AC, $\cos \varphi = 0.6$ ), 10 AX (Fluorescent lamp load)
Switching capacity min.	<10 mA
Incandescent lamp load	2600 W
Halogen lamp load	2600 W
Fluorescent lamp load (conventional) not corrected	2300 VA
Fluorescent lamp load (conventional) series-corrected	2300 VA
Fluorescent lamp load (conventional) lead-lag circuit	2300 VA
Fluorescent lamp load (conventional) parallel-corrected	800 VA 80 $\mu$ F
LED lamp < 2 W	30 W
LED lamp 2-8 W	100 W
LED lamp > 8 W	120 W
Energy saving lamps	170 W
Fluorescent lamp load (electronic ballast)	650 W
Test approval	VDE
Lichtsensorm	Flush-mounted light sensor
Housing and insulation material	High-temperature resistant, self-extinguishing thermoplastic
Ambient temperature	-30 °C ... +55 °C
Type of protection	IP 20, sensor IP 65
Protection class	II, Sensor III
Max. cable length to sensor	100 m

### Connection example



## Scale drawings



## Accessories

### Analogue surface-mounted light sensor

- Article number: 9070416  
Details ▶ [www.theben.de](http://www.theben.de)



### Analogue flush-mounted light sensor

- Article number: 9070011  
Details ▶ [www.theben.de](http://www.theben.de)



### Wall mounting kit 52,5 mm

- Article number: 9070050  
Details ▶ [www.theben.de](http://www.theben.de)



### PC set OBELISK top2/3

- Article number: 9070409  
Details ▶ [www.theben.de](http://www.theben.de)



### Memory card OBELISK top2

- Article number: 9070404  
Details ▶ [www.theben.de](http://www.theben.de)



### Front panel kit

- Article number: 9070001  
Details ▶ [www.theben.de](http://www.theben.de)

