

TRANSFORMERS

THREE-PHASE TRANSFORMERS

TRT 33 IP00

POWER ISOLATING TRANSFORMER

Three-phase power isolating transformers dry type. Intended for change of voltages with galvanic isolation, attenuation of line disturbances and/or when it is necessary to change the neutral system. Connection with terminal blocks or with screws for flats terminals. Manufactured with electrical steel with low losses and copper windings. On request we can manufacture transformers with other voltages, with taps, electrostatic screen, with thermal switch, etc.

www.df-sa.es/transformers/three-phase/TRT33/

TECHNICAL	
PRI VOLTAGE	400V
SEC VOLTAGE	230V
THERMAL CLASS	B/H
MAX AMBIENT TEMPERATURE	40°C
FREQUENCY	50/60 Hz
CLASS	I
PROTECTION INDEX	IP00 & IP23
DIELECTRIC STRENGTH PRI-SEC	> 4 kV
VECTOR GROUP	Dyn5
NATURAL AIR COOLING OTHER CHARACTERISTICS ON REQUEST	

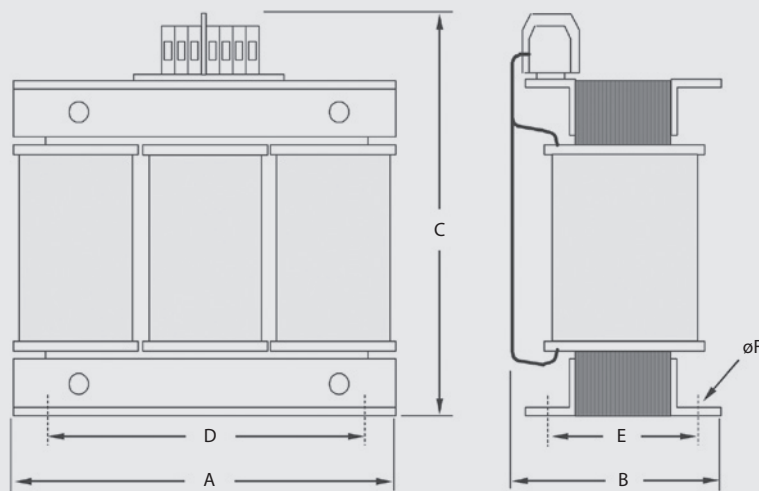
POWER (kVA)	REFERENCE	DIMENSIONS (mm)						WEIGHT (kg)
		A	B	C	D	E	F	
0,5	73N0005000	180	85	200	140	55	6	6,5
1	73N0010000	240	110	250	200	75	6	16,0
1,6	73N0016000	240	120	250	200	85	6	18,5
2	73N0020000	240	130	250	200	95	6	23,0
3,5	73N0035000	300	135	340	200	105	6	33,5
4	73N0040000	300	145	340	200	115	6	40,0
5	73N0050000	300	175	340	200	135	6	50,0
6,3	73N0063000	360	170	361	300	115	8	56,0
8	73N0080000	360	180	361	300	125	8	58,0
10	73N0100000	360	190	361	300	135	8	66,7
12,5	73N0125000	420	200	425	300	140	8	86
16	73N0160000	420	210	425	300	150	8	100
20	73N0200000	480	225	500	400	155	10	107
25	73N0250000	480	240	500	400	175	10	135
31,5	73N0315000	480	280	510	400	195	10	160
40	73N0400000	480	300	510	400	215	10	178
50	73N0500000	600	320	600	500	180	16	238
63	73N0630000	600	340	600	500	200	16	269
80	73N0800000	600	350	530	500	220	16	323
100	73N1000000	720	300	620	500	200	16	420



73N0035000

TECHNICAL TRT 33 IP00

POWER ISOLATING TRANSFORMER DIMENSIONS



DIMENSIONS MAY SLIGHTLY VARY ACCORDING THE VOLTAGES

STANDARDS IEC 61558 EN 61558 IEC 60076-11	SYMBOLS
----------------------------------------------------	-------------

TECHNICAL PROTECTION PAG 26	TECHNICAL VECTOR GROUPS PAG 27	TECHNICAL IP PROTECTION INDEX PAG 28
-----------------------------------	--------------------------------------	--------------------------------------------