

Description

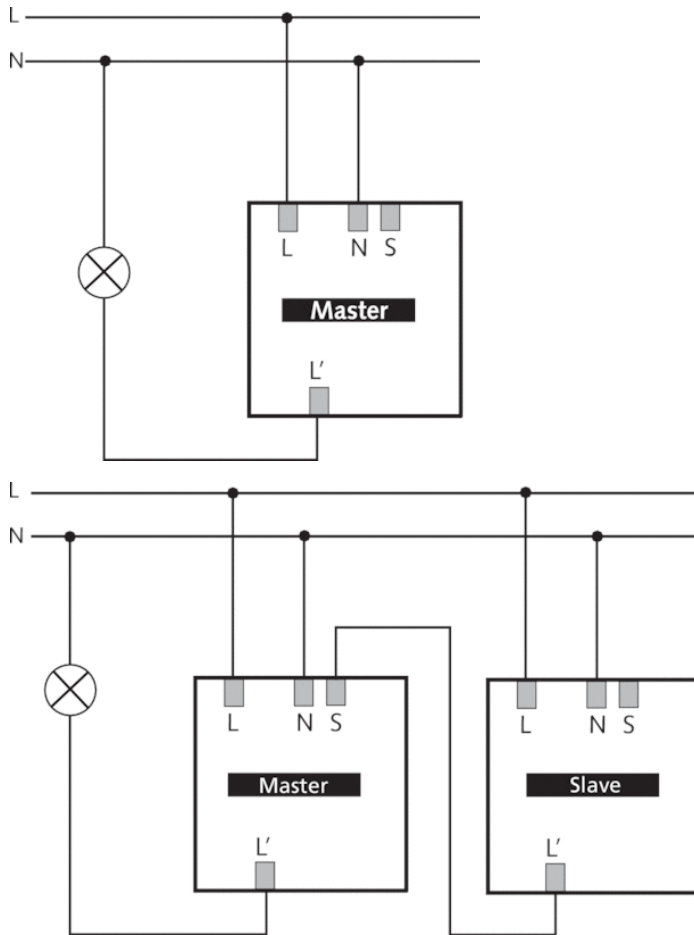


- Passive infra-red motion detector for ceiling installation
- Circular detection area 360°, up to Ø 8 m (50 m²)
- Automatic motion and brightness-dependent control for lighting
- Mixed light measurement suitable for fluorescent lamps (FL/PL/ESL), halogen/incandescent lamps and LEDs
- Channel A light: relay, 230 V
- Operation as fully automatic device
- Brightness switching value configurable, teach-in function
- Pulse function for staircase light time switch
- Time delay configurable
- Extension of detection area via Master/Slave switching
- Test mode for checking function and detection area
- Diameter of ceiling cutout 34–36 mm
- Ready for immediate use due to factory presetting

Technical data

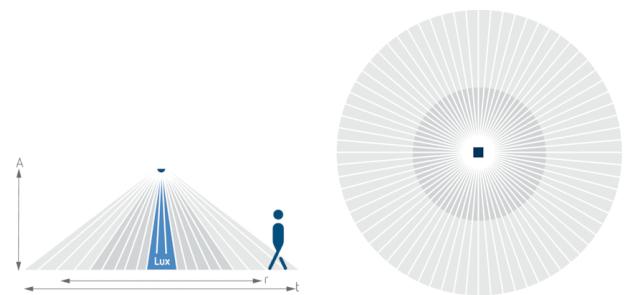
| | |
|---|--|
| Operating voltage | 110 – 240 V AC |
| Frequency | 50 – 60 Hz |
| Installation height | 2 – 4 m |
| Installation type | Ceiling installation |
| Power consumption | ~0,5 W |
| Light measurement | Mixed light measurement |
| Setting range brightness | 5 – 1000 lx |
| Light switch-off delay | 30 s - 30 min |
| Lamps | Incandescent/halogen lamps, fluorescent lamps, Energy saving lamps, LEDs |
| Incandescent/halogen lamp load | 2000 W |
| Fluorescent lamp load (conventional) not corrected | 2000 VA |
| Fluorescent lamp load (conventional) parallel-corrected | 1300 VA 140 µF |
| Fluorescent lamp load (conventional) series-corrected | 2000 VA |
| Fluorescent lamp load (electronic ballast) | 1200 W |
| LED lamp < 2 W | 55 W |
| LED lamp 2-8 W | 180 W |
| LED lamp > 8 W | 200 W |
| Ambient temperature | -20 °C ... +50 °C |
| Type of protection | IP 21 (Sensor), IP 20 (power module) |

Connection example



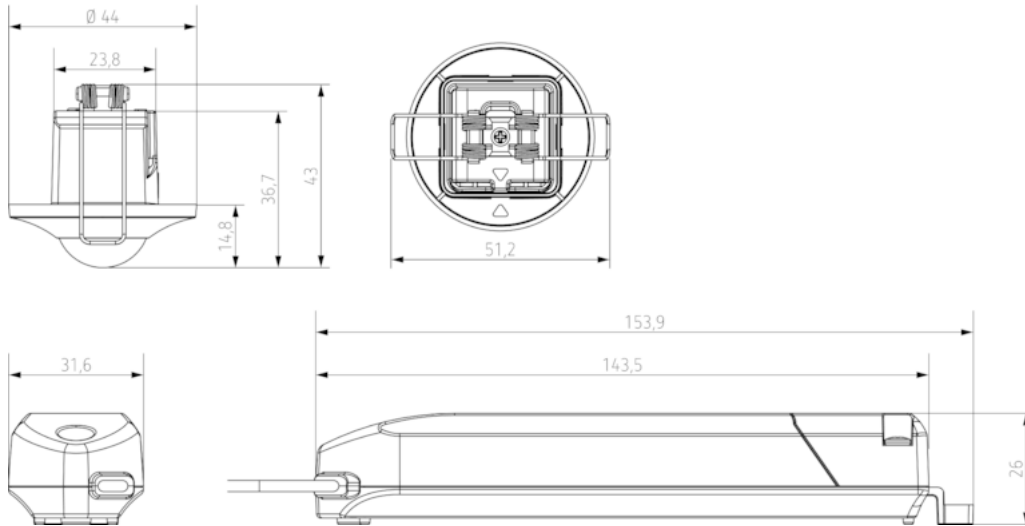
Detection range

| Mounting height (A) | Head on to (r) | Diagonally (t) |
|---------------------|------------------------|-------------------------|
| 2,5 m | 3 m ² 2 m | 50 m ² 8 m |



Article number: 1060200

Scale drawings



Product selection

| Installation type | Channel | Operating voltage | Colour | Type | Article number |
|----------------------|---------|-------------------|--------|---------------------------|----------------|
| Ceiling installation | Light | 110 – 240 V AC | White | thePiccola S360-100 DE WH | 1060200 |