

Description

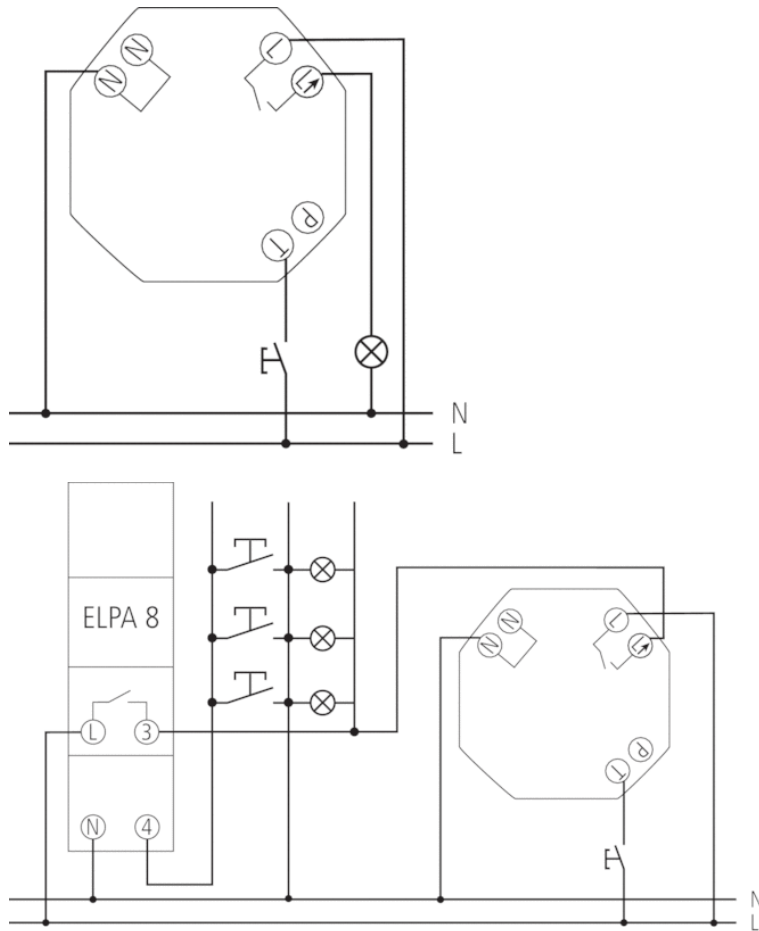


- Motion detector (PIR)
- Automatic lighting control based on presence and brightness
- Wall installation
- Compatible with branded switches, replaces conventional light switches
- Mixed light measurement suitable for the control of fluorescent, incandescent and halogen lamps
- Area limit via lens attachment
- Manual AUTO/ON/OFF switching by simple adjustment of cover flap
- Teach-in of current brightness value
- Expansion of detection area through integrated master/slave or master/master function when using up to 10 devices
- With acoustic advance shut-off warning 15 seconds before light switches off
- Instant start-up possible via factory preset
- No unintentional adjustment due to covered up controls
- Adjustable brightness switching value and switch-off delay
- Sensitivity can be reduced to limit detection area
- Pulse function
- Test function

Technical data

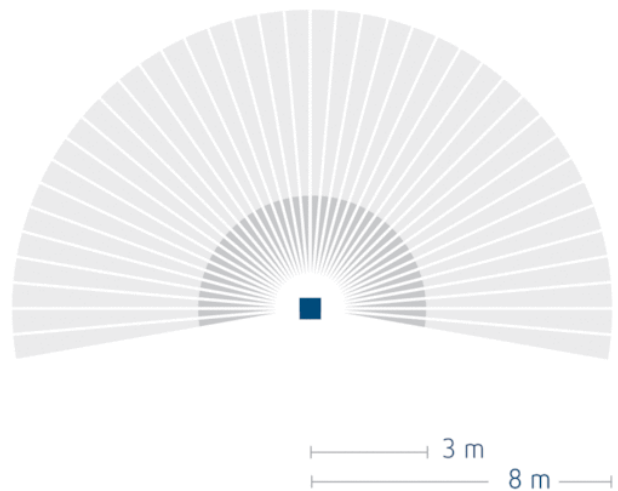
Operating voltage	230 V AC
Frequency	50 Hz
Stand-by consumption	~1 W
Light measurement	Mixed light measurement
Number of channels	1
Type of contact	NO contact
Colour	White
Switching output	Light
Installation type	Flush-mounted wall installation
Setting range brightness	10 – 1000 lx Infinitely adjustable
Switching capacity light	10 A (at 230 V AC, $\cos \varphi = 1$), 3 AX (at 230 V AC, $\cos \varphi = 0.3$)
Detection angle	200°, circular
Installation height	1,2 – 2 m
Light switch-off delay	20 s–30 min
Incandescent lamp load	1000 W
Fluorescent lamp load (conventional) parallel-corrected	400 VA 42 μ F
Inrush current	max. 230 A / 200 μ s
LED lamp < 2 W	20 W
LED lamp 2-8 W	180 W
LED lamp > 8 W	180 W
Lamps	Incandescent/halogen lamps, fluorescent lamps, Energy saving lamps, LEDs
Remote controlled	–
Ambient temperature	+0 °C ... +45 °C
Protection class	II
Type of protection	IP 40

Connection example

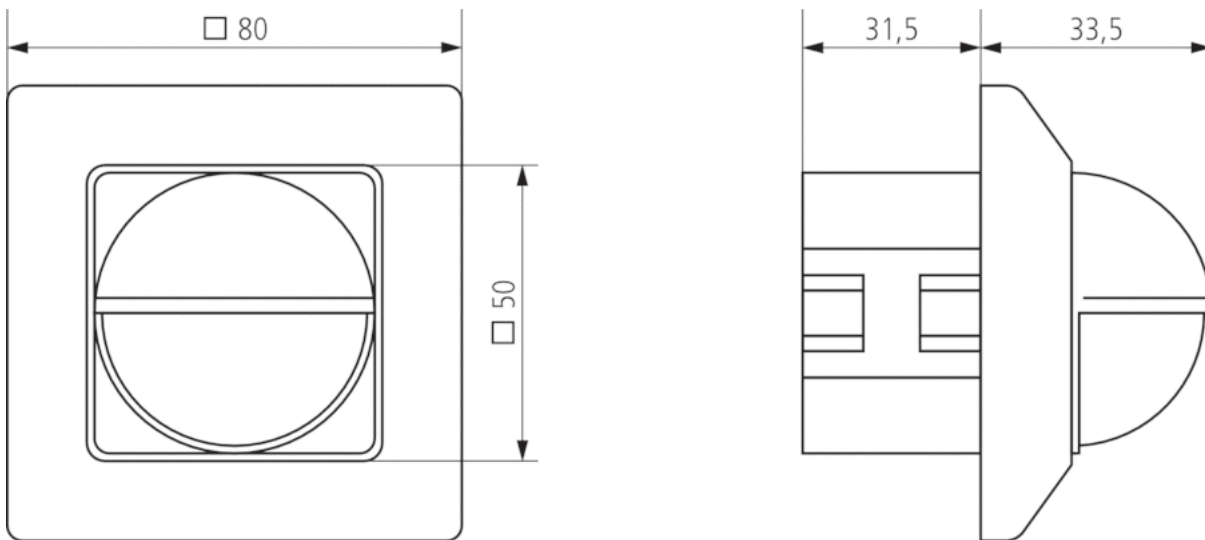


Detection range

Mounting height (A)	Head on to (r)	Diagonally (t)
2 m	3,5 m	8 m



Scale drawings



Accessories

Surface frame LUXA 103-200

- Article number: 9070504
Details ▶ www.theben.de



RC filter

- Article number: 9070523
Details ▶ www.theben.de

