

## WIRING RETAINER

### LS-2065

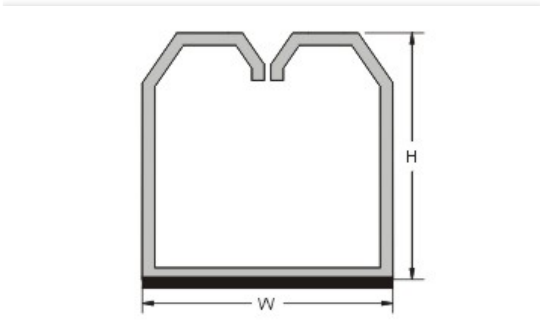


#### Description

#### Features

- Material: UL94HB flame rated, UL approved ABS.
- Color: Grey.
- To make wires in good order and neatly.

#### Dimensional Drawing



#### Certification



#### + Base Data

Width (W) x Height (H)	20 x 65
Material	ABS
Color	Grey
Certification	Halogen-Free,RoHS
Packing	100pcs with adhesive tape