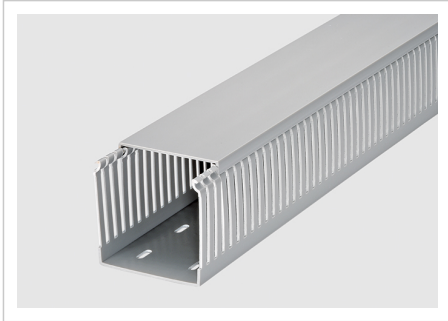


WIRING DUCT (SLOTTED)

HVD-1

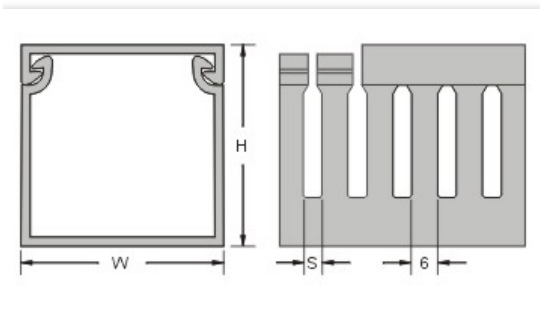


Description

Features

- Material: UL94V-0 and M1 flame rated, UL approved PVC.
 - Color: Grey.
 - PVC service temperature: 85°C
 - UL Test up to 50°C
 - These devices are for routing of wires within devices in factory installations.
 - Features parallel holes on both sidewalls to facilitate cutting in wire application.
 - Special color, size, length upon request of reasonable quantity.
- ※ The standard wiring duct can be available for non-slip cover, suitable for vertical installations. The item number please specify for example, Item no. :VD-8→VQ-8, KVD-8→KVQ-8, HVD-8→HVQ-8
Non-slip cover for the size less than 20mm width or bigger than 125mm is available upon request.

Dimensional Drawing



Certification



+ Base Data

| | | |
|-----------|--|----|
| Width (W) | | 25 |
|-----------|--|----|

| | | |
|------------|--|----|
| Height (H) | | 30 |
|------------|--|----|

| | | |
|---------------|--|---------------------------------|
| Slot (S) | | 4 |
| Length (L) | | 2M |
| Material | | PVC |
| Color | | Grey |
| With Adhesive | | No |
| Certification | | UL,CSA,CE,UKCA,VDE,UL94V-0,RoHS |