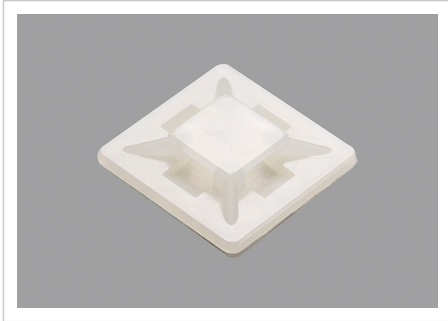


SELF-ADHESIVE TIE MOUNT HC-101

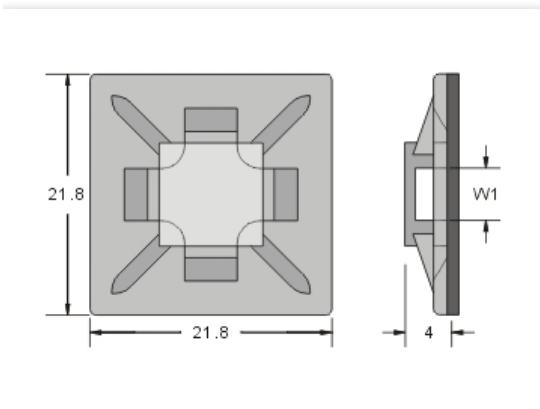


Description

Features

- Material: UL94V-2 flame rated, UL approved Nylon 66 with adhesive tape.
- Color : Natural , available in other color.
- SELF-ADHESIVE TIE MOUNT is designed to support light weight wire bundles when properly applied on any clean, smooth, grease-free surface. For heavy support, mounting hole is provided for screws.
- To apply, simply peel off liner and apply mount to surface. After that, cable ties can be inserted to secure wire bundles.

Dimensional Drawing



Certification



+ Base Data

Applicable cable tie width	4.8
Material	NYLON 66
Color	Natural

Certification | Halogen-Free,RoHS

Packing | 100pcs