

ELPA 1

Article number: 0010002

Description



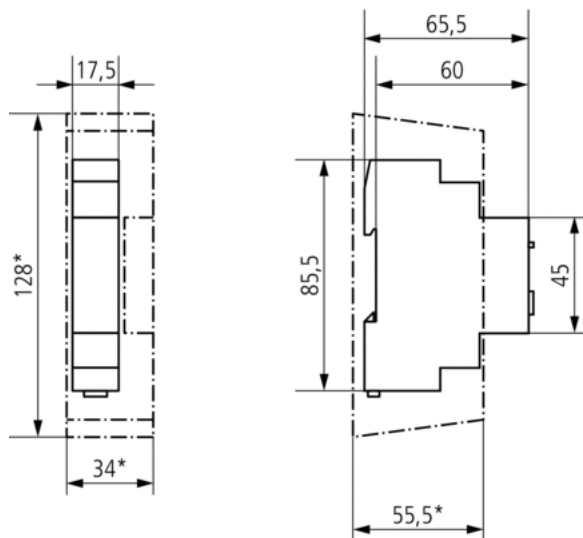
- Staircase time switch, electronic
- Zero-cross switching for relay-saving switching and high lamp loads
- Multi-functional device with 10 available functions, set at the front of the device
- Additional multi-voltage input electrically isolated for AC/DC 8...240 V, e.g. für intercoms
- Advance shut-off warning (two double flashes) in accordance with DIN 18015-2 to avoid sudden darkness
- Extended function activated via long button press
- Immediate secondary switching (stair light switch) or prematurely switched off (impulse switch with switch-off delay)
- Permanent switch
- Electronic impulse light
- Terminal layout same as ELPA 8
- Extremely accurate
- Push button input with electronic overload protection
- Automatic 3 or 4 conductor detection (4 conductor with connection for floor lighting, 3 conductor no longer permitted for new systems)

Technical data

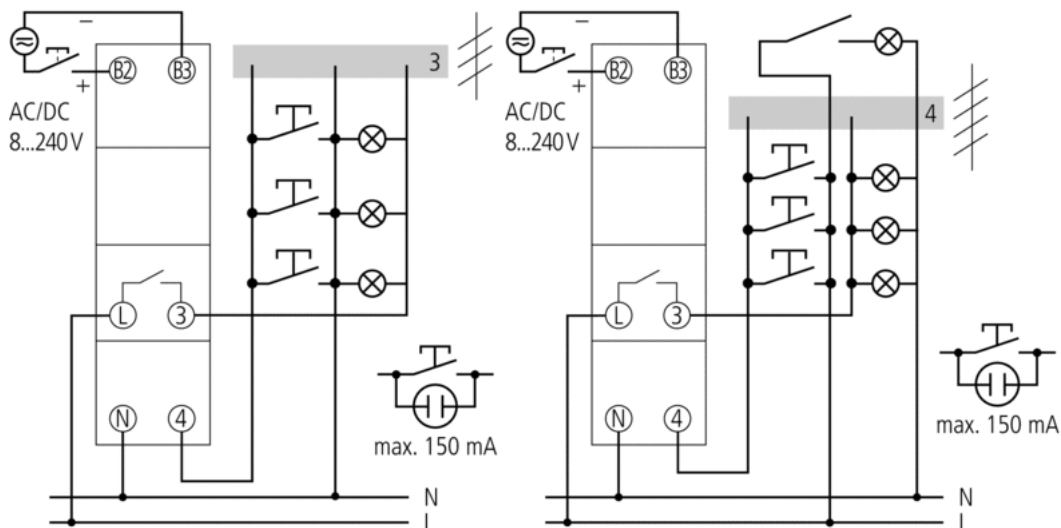
| | |
|---|---|
| Operating voltage | 220 – 240 V AC |
| Frequency | 50 – 60 Hz |
| Width | 1 modules |
| Installation type | DIN rail |
| Stand-by consumption | 0,9 W |
| Glow lamp load | 150 mA |
| Setting range time | 0,5 – 20 min |
| Type of connection | 3-/4-conductor |
| 3/4 conductor | Automatic |
| Secondary switching | At once |
| Duty cycle in per cent | 100 |
| Type of contact | NO contact |
| Opening width | < 3 mm (μ) |
| Switching output | Not potential-free (230 V) |
| Incandescent/halogen lamp load | 3600 W |
| Fluorescent lamp load (conventional) lead-lag circuit | 3600 VA |
| Fluorescent lamp load (conventional) parallel-corrected | 1200 VA, 120 μF |
| Energy saving lamps | 34 x 7 W, 27 x 11 W, 24 x 15 W, 22 x 23 W |
| Fluorescent lamp load (electronic ballast) | 1000 VA |
| Fluorescent lamp load (conventional) series-corrected | 3600 VA |
| Fluorescent lamp load (conventional) not corrected | 3600 VA |
| Switching capacity | 16 AX (at 230 V AC, cos φ = 0.3), 16 A (at 230 V AC, cos φ = 1) |

| | |
|---------------------------------|--|
| Switch for permanent light | Rotary switch |
| Test approval | VDE |
| Housing and insulation material | High-temperature resistant, self-extinguishing thermoplastic |
| Ambient temperature | -25 °C ... +50 °C |
| Protection class | II |
| Type of protection | IP 20 |

Scale drawings



Connection example



Accessories

Wall mounting kit 17,5 mm

- Article number: 9070065
[Details ▶ www.theben.de](http://www.theben.de)



Front panel kit

- Article number: 9070001
[Details ▶ www.theben.de](http://www.theben.de)

