

# theRonda S360-101 DE WH

Item no.: 2080565

**theben**

## Presence and motion detectors Indoor detectors

### Description

- Passive infra-red presence detector for ceiling installation
- Circular detection area 360°, up to Ø 8 m (50 m²) at mounting height 3 m
- 1 channel light (Relay, 230 V) and 1 channel presence (Relay, floating for HVAC control)
- Automatic motion and brightness-dependent control for lighting and HVAC
- Mixed light measurement suitable for fluorescent lamps (FL/PL/ESL), halogen/incandescent lamps and LEDs
- Operation as fully automatic device
- Brightness switching value configurable, teach-in function
- Pulse function for staircase light time switch
- Channel H, presence: relay, floating e.g. for HVAC control
- Time delay configurable
- Detection sensitivity configurable
- Test mode for checking function and detection area
- Ready for immediate use due to factory presetting (Brightness switching value 300 lux, Time delay 10 min.)
- One of these optional remote controls is required for changing the values and attitudes:
  - Management remote control SendaPro
  - Installation remote control theSenda P
  - Optional user remote control: theSenda S



### Technical data

theRonda S360-101 DE WH	
Operating voltage	230 V AC
Frequency	50 Hz
Installation height	2 – 4 m
Minimum height	> 1,7 m
Installation type	Ceiling mounting
Colour	White
Switching output	Light   Presence
Light measurement	Mixed light measurement
Setting range brightness	30 – 3000 lx
Light switch-off delay	10 s - 60 min

theRonda S360-101 DE WH	
Lamps	Incandescent/halogen lamps, fluorescent lamps, Energy saving lamps, LEDs
Incandescent/halogen lamp load	2300 W
Inrush current	max. 400 A / 200 µs
LED lamp < 2 W	25 W
LED lamp 2-8 W	250 W
LED lamp > 8 W	250 W
Switching capacity presence	50 W / 50 VA (max. 2 A), min. 0,5 mV / 10mA

Subject to technical changes and misprints

additional information at: [www.theben.de/product/2080565](http://www.theben.de/product/2080565)

The load data are determined with exemplary selected illuminants and are therefore typical data due to the large number of available products.

# theRonda S360-101 DE WH

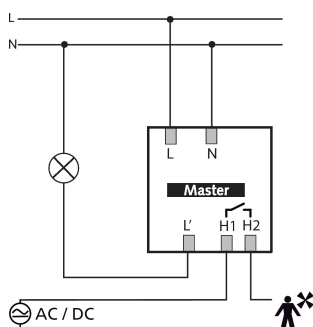
Item no.: 2080565



## Technical data

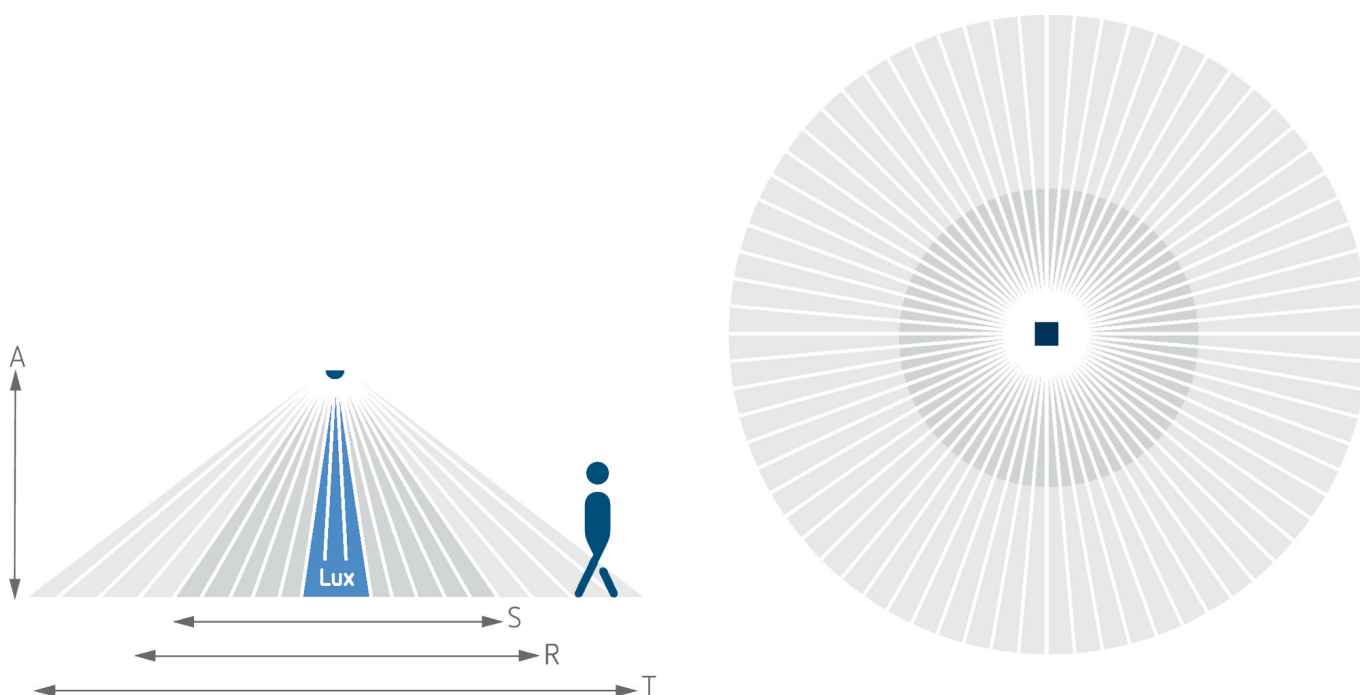
theRonda S360-101 DE WH		theRonda S360-101 DE WH	
Type of connection	Screw terminals	Detection angle	360°
Max. cable cross section	max. 2 x 2,5 mm <sup>2</sup>	Ambient temperature	-15°C ... 50°C
Detection range	50 m <sup>2</sup> (ø 8 m   360°)	Type of protection	IP 54 (when fitted)

## Connection example



## Detection range for planning applications at a temperature of 21 °C

Mounting height (A)	Sitting (S)	Diagonally (T)	Head on to (R)
2 m	5 m <sup>2</sup>   2.5 m	38 m <sup>2</sup>   7 m	5 m <sup>2</sup>   2.5 m
2.5 m	7 m <sup>2</sup>   3 m	38 m <sup>2</sup>   7 m	7 m <sup>2</sup>   3 m
3 m	13 m <sup>2</sup>   4 m	50 m <sup>2</sup>   8 m	
3.5 m		50 m <sup>2</sup>   8 m	13 m <sup>2</sup>   4 m
3 km			13 m <sup>2</sup>   4 m
4 m			13 m <sup>2</sup>   4 m



Subject to technical changes and misprints

additional information at: [www.theben.de/product/2080565](http://www.theben.de/product/2080565)

The load data are determined with exemplary selected illuminants and are therefore typical data due to the large number of available products.

# theRonda S360-101 DE WH

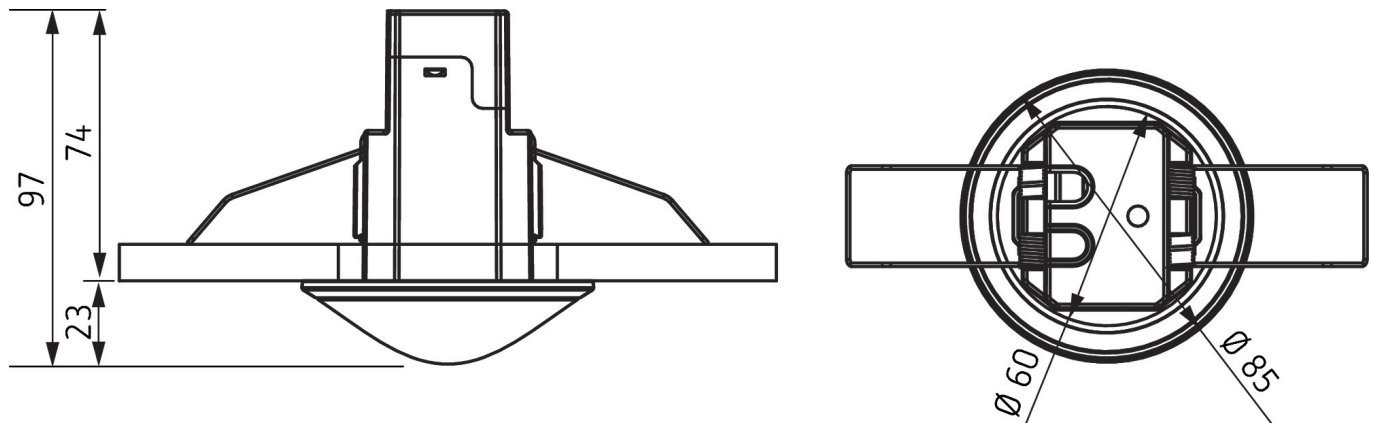
Item no.: 2080565

# theben

## Detection range according to Sensnorm IEC 63180

Mounting height (A)	Diagonally (T)	Head on to (R)	Sitting (S)
2.5 m	28 m <sup>2</sup>   6 m	28 m <sup>2</sup>   6 m	20 m <sup>2</sup>   5 m
4 m	95 m <sup>2</sup>   11 m	79 m <sup>2</sup>   10 m	

## Scale drawings



## Accessories

**theSenda P**  
Item no.: 9070910



**theSenda S**  
Item no.: 9070911



**theSenda B**  
Item no.: 9070985



**Cover 85 GR**  
Item no.: 9070594



**Cover 85 BK**  
Item no.: 9070852



Subject to technical changes and misprints

additional information at: [www.theben.de/product/2080565](http://www.theben.de/product/2080565)

The load data are determined with exemplary selected illuminants and are therefore typical data due to the large number of available products.