

PHOTOVOLTAIC FUSE HOLDERS

PMX FUSE HOLDERS FOR PHOTOVOLTAIC APPLICATIONS

The first feature that PV Modular fuse holders offers, is the 1000V DC or 1100V DC rated voltages. They have been developed to offer a compact, safety and economic protection solution in photovoltaic installations where due to the increase of the power and technologic evolution, no-load voltages above 800V DC can be achieved. Modular fuse holders for 10x38 & 14x51 gPV fuses according IEC/EN 60269 standard. Compact design, with reduced distances. Manufactured with a high quality materials: Silver plated copper contacts and plastic materials with high temperature resistance and selfextinguishable. All the materials are according to the European Directive RoHS (Restriction of the use of certain hazardous substances in electrical material). UL certification (File E359201).

1000V DC

10x38

WITHOUT INDICATOR

POLES	MODULES	REFERENCE	DESCRIPTION	I _n (A)	U (VDC)	PACKING Uni./BOX
1	1	485150	SINGLE-POLE	32	1000	12/192
2	2	485151	TWO-POLES	32	1000	6/96

WITH INDICATOR

1	1	485152	SINGLE-POLE	32	1000	12/192
2	2	485153	TWO-POLES	32	1000	6/96

PATENTED DESIGN



485152

1100V DC

14x51

WITHOUT INDICATOR

1	1,5	485250	SINGLE-POLE	50	1100	6/90
2	3	485251	TWO-POLES	50	1100	3/45

WITH INDICATOR

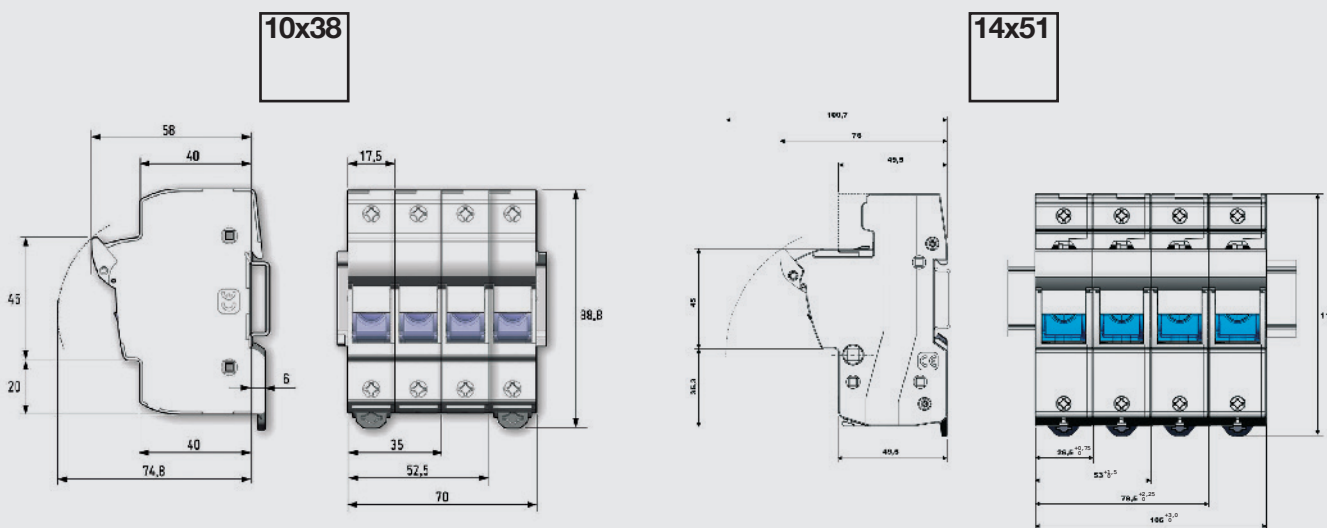
1	1,5	485252	SINGLE-POLE	50	1100	6/90
2	3	485253	TWO-POLES	50	1100	3/45

PATENTED DESIGN



485250

TECHNICAL PMX FUSE HOLDERS FOR PHOTOVOLTAIC APPLICATIONS DIMENSIONS



STANDARDS
IEC 60269-1
IEC 60269-2
EN 60269-1
EN 60269-2
UL4248-18

APPROVALS

RoHS compliant

COMPATIBLE
gPV FUSE-LINKS FOR PHOTOVOLTAIC APPLICATIONS

COMPATIBLE
CONNECTION ACCESSORIES: PHASE BUSBARS AND ACCESSORIES
SEE CYLINDRICAL

PAGE 02