

GENERAL

Measuring and protection transformers. Wound primary, bus-bar, split core and narrow profile transformers
For cable or bus-bar.
Plastic or resin encapsulated casing (depending on type).
With fixing support and/or bar enclosing screws depending on type.
Fixing to DIN rail (on request)

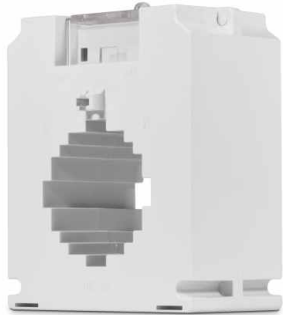
STANDARDS

IEC 185
UNE EN 61869 (IEC 61869)
VDE 0414
IEC 801/1-3.4
DIN 57414
BS 3938
EN 50081
EN 50082
IEC 1010

GENERAL TECHNICAL SPECIFICATIONS

Security factor	$F_s < 5$
Rated voltage (maximum)	720 V
Test voltage	3 kV A.C. (1 min)
Frequency	50-60 Hz
Rated short-time thermal current	$I_{th} = 60 I_n$ for wound primary transformers. I_{th} limited by cable sizes or primary bus-bar for other cases.
Rated dynamic current	$I_{Dyn} = 2,5 \times I_{th}$
Continuous overload	$I_D = 1,2 \times I_N$
Operating temperature	-10...50 °C.
Accuracy	0,5 ; 1 and 3 (0,2S, 0,5S on request)
Rated secondary current	/5 or /1 A
Insulation class	Class E Class B (130 °C) Available

TRANSFORMERS WITH BUILT-IN MEASURING TRANSDUCER (PLASTIC CASING)

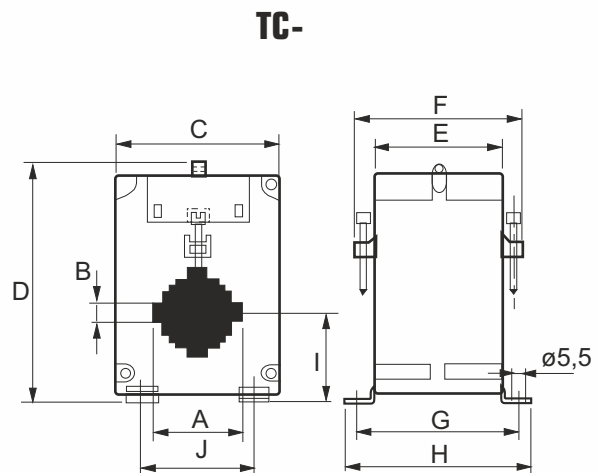
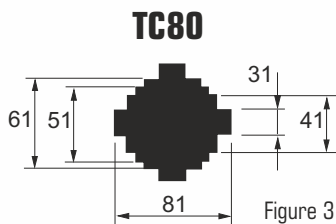
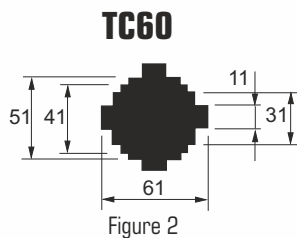
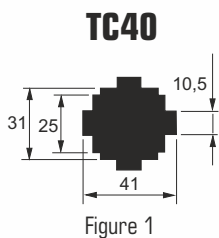


TECHNICAL SPECIFICATIONS:

Operating range: 10-120%
 Maximum load impedance: 600 Ω
 Frequency: 50-60 Hz
 Response time: <200 ms

MODEL	BUS-BAR TRANSFORMERS		
	TC40	TC60	TC80
Bus-Bar	40x10	60x10	80x30
Cable	Ø32	Ø51	Ø65
Accuracy Class	1	1	1
I _{pn} (A)	Output (mA)	Output (mA)	Output (mA)
50	20		
60	20		
75	20		
100	20		
125	20		
150	20		
200	20		
250	20		
300	20		
400	20	20	20
500		20	20
600		20	20
750		20	20
800		20	20
1000		20	20
1200		20	20
1500		20	20
2000		20	20
2500			20

DIMENSIONS



MODELS	A	B	C	D	E	F	G	H	I	J
TC 40	Figure 1	71	106,5	45	61	60,5	72	40	47	
TC 60	Figure 2	105	136,5	60	76	75,5	87	54	81	
TC 80	Figure 3	131	161,5	60	76	75,5	87	69	107	

Dimensions in mm.

TRANSFORMERS WITH BUILT-IN MEASURING TRANSDUCER

(PLASTIC CASING)



Selection of transformer ratio by switch

MODEL	BUS-BAR TRANSFORMERS		
	TC20CV	TC30CV	TC40CV
Bus-Bar	20x5	30x10	40x10
Cable	Ø16	Ø22	Ø30
Accuracy	1	1	1
I _{pn} (A)	Output (mA)	Output (mA)	Output (mA)
10; 12,5; 15 & 20	4-20		
20; 25; 30 & 40	4-20	4-20	
50; 60; 75 & 100	4-20	4-20	4-20
125; 150; 200 & 250	4-20	4-20	4-20
300; 400; 500 & 600		4-20	4-20

TECHNICAL SPECIFICATIONS:

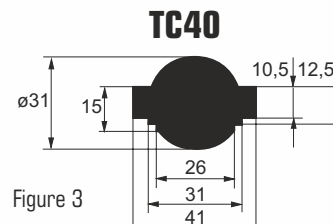
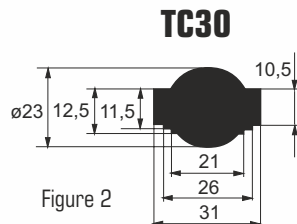
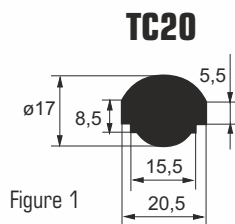
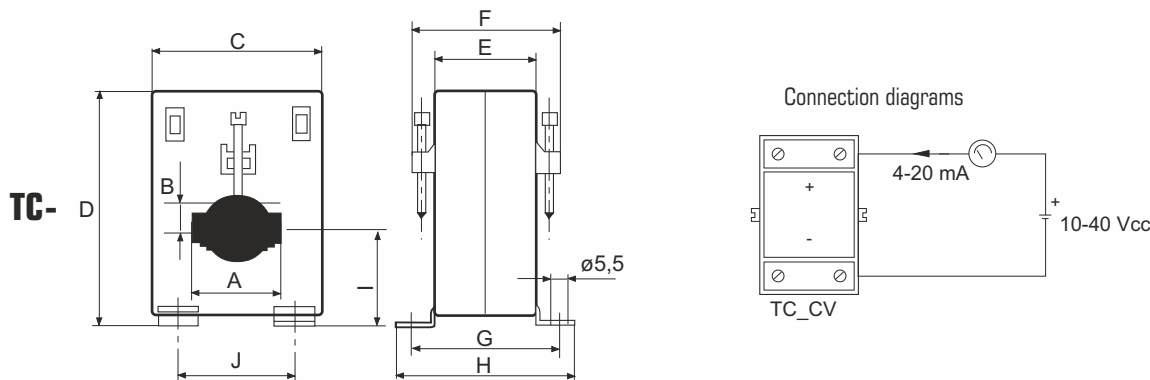
Operating range: 10-120%

Maximum load impedance: 600 Ω

Frequency: 50-60 Hz

Response time: <200 ms

DIMENSIONS



MODELS	A	B	C	D	E	F	G	H	I	J
TC20CV	Figure 1	56	74	33	48,5	48,5	60	32,5	37	
TC30CV	Figure 2	60	79	36	51,5	51,5	63	34,5	41	
TC40CV	Figure 3	71	96	45,5	61	61	72,5	44,5	52	

Dimensions in mm.